

ZX

effluent pump

Robust high-quality VORTEX submersible pumps in stainless steel. The proven VORTEX system allows the clearing of dirty water containing suspended solids.



RANGE OF PERFORMANCE

Capacity up to 106 gpm
Head up to 36 feet

LIMITS OF USE

Depth up to 15 ft
Liquid temperature up to 104°F
Solid Handling up to 1 1/2"
Drainage level 1 1/2" from the bottom
For continuous duty: minimum immersion 9" from pump base

CONSTRUCTION AND SAFETY STANDARDS

EN 60 335-1 EN 60034-1
IEC 335-1 IEC 34-1
CEI 61-150 CEI 2-3



INSTALLATION AND USE

ZX PUMPS ARE RECOMMENDED FOR DRAINING WASTE WATER IN THE DOMESTIC SECTOR, FOR CLEARING DIRTY WATER, EVEN CONTAINING SUSPENDED SOLID BODIES WITH DIMENSIONS UP TO Ø 1.5". THEY ARE OUT STANDING IN BOTH THEIR SIMPLICITY OF INSTALLATION AND THEIR RELIABILITY IN FIXED INSTALLATIONS WITH AUTOMATIC OPERATION.

GUARANTEE 2 YEAR subject to our general terms of sale.

CONSTRUCTION CHARACTERISTICS

DELIVERY BODY: cast iron, with threaded port
MOTOR CASING: stainless steel AISI 304.
IMPELLER: open type, in glas filled technopolymer.
MOTOR SHAFT: stainless steel EN 10088-3 - 1.4104.
MECHANICAL SEAL: ceramic - graphite - NBR.
MOTOR: submersible asynchronous single-phase for continuous duty.
ZX: single-phase 115 and 230 V - 60 Hz with capacitor and thermal overload protector.
INSULATION: class F. • **PROTECTION:** IP 68.

STANDARD FEATURES:

ZX Float switch.
Neoprene power cord "H07 RN-F" length 30 feet

OPTIONS ON REQUEST

special mechanical seal
other voltages or frequency 50 Hz

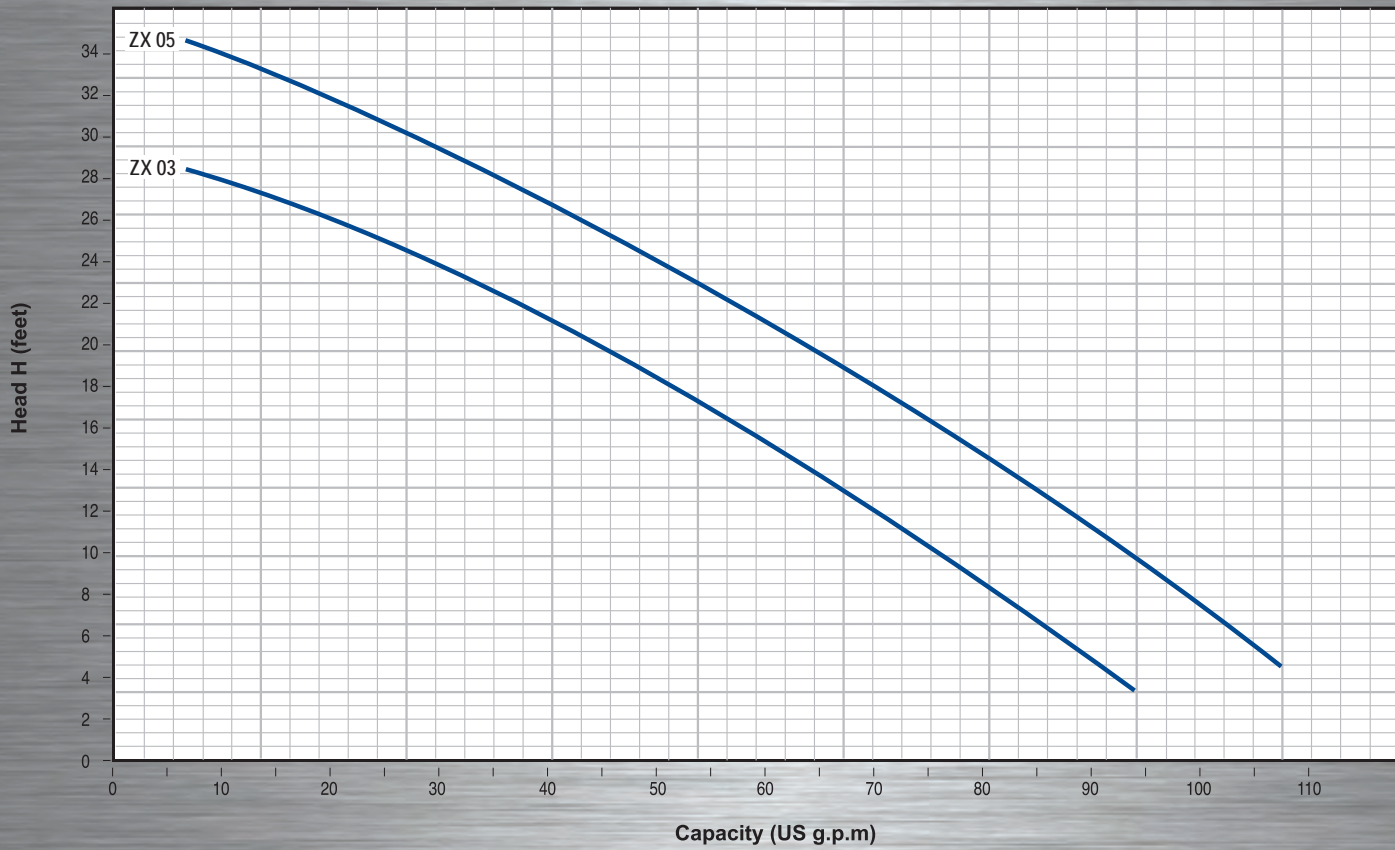


tech.support (954) 474 9090

www.pedrollousa.com

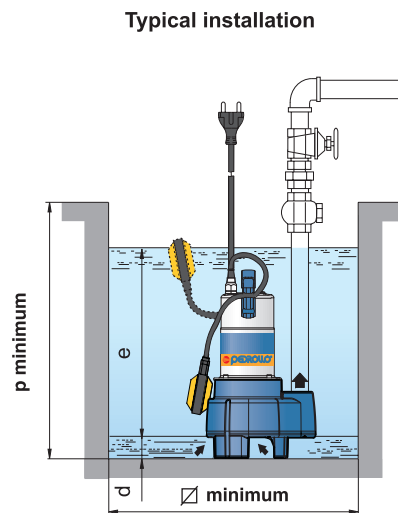
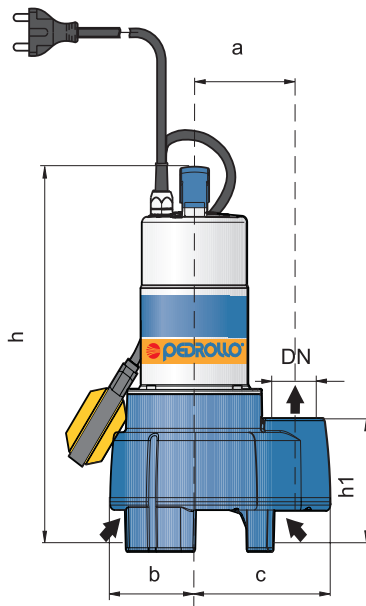
customerservice@pedrollousa.com

CURVES AND PERFORMANCE DATA



MODEL	HP	CAPACITY GPM	0	7	13	20	26	33	40	53	66	79	93	106
1 PH		H. Feet												
ZX 03	0.33		30	28	27	26	25	23	21	17	13	8	3	
ZX 05	0.50		36	34	33	31	30	28	27	23	19	14	9	5

DIMENSIONS AND WEIGHTS



MODEL	DISCH	DIMENSIONS INCHES										LBS
1 PH	DN	a	b	c	h	h1	d	e	p	Ømin	1~	
ZX 03	1 1/2"	4.33	3.66	5.91	14.65	5.04	1.57	Adjustable	17.72	17.72	23.9	
ZX 05											27.4	