

VXCM

Sewage

VORTEX submersible pumps made of cast iron, particularly robust and reliable, ideal for fixed installations. The proven VORTEX system allows the clearing of dirty water containing suspended solids.



RANGE OF PERFORMANCE

Capacity up to 132 gpm
Head up to 36 ft

LIMITS OF USE

Depth up to 30 ft
Liquid temperature up to 104°F
Solid handling 2"
For continuous duty: minimum immersion 11" from pump base

CONSTRUCTION AND SAFETY STANDARDS

EN 60 335-1 EN 60034-1
IEC 335-1 IEC 34-1
CEI 61-150 CEI 2-3



INSTALLATION AND USE

THE PUMPS IN THE VXC SERIES ARE MADE OF EXCEPTIONALLY ROBUST HEAVY-GAUGE CAST IRON, RESISTANT TO ABRASION AND ARE EQUIPED WITH A VORTEX TYPE IMPELLER. THEY ARE RECOMMENDED FOR DRAINING WASTE WATER CONTAINING SUSPENDED SOLID BODIES, SEWAGE AND WATER MIXED WITH MUD.

GUARANTEE 2 YEAR subject to our general terms of sale.

CONSTRUCTION CHARACTERISTICS

PUMP BODY: cast iron, with threaded port
MOTOR CASING AND BASE: cast iron.
IMPELLER: stainless steel AISI 304.
MOTOR SHAFT: stainless steel EN 10088-3 - 1.4104.
DOUBLE SEAL: mechanical seal silicon carbide - NBR, with oil barrier chamber and inner lip seal to protect the seal in the event of dry running.
MOTOR: submersible asynchronous for continuous duty.
VXCM: single-phase 115V or 230 V - 60 Hz with thermal overload protector.
VXCM: three-phase 230V - 60 Hz.
INSULATION: class F. • **PROTECTION:** IP 68.

REGISTERED MODEL n° 72765.

STANDARD FEATURES:

VXCM (single-phase) Float switch.
Neoprene power cord "H07 RN-F"
length 30 ft Control box with capacitor (Protection IP 64).
VXCM (three-phase) Neoprene power cord "H07 RN-F"
length 30 ft

OPTIONS ON REQUEST

other voltages or frequency 50 Hz

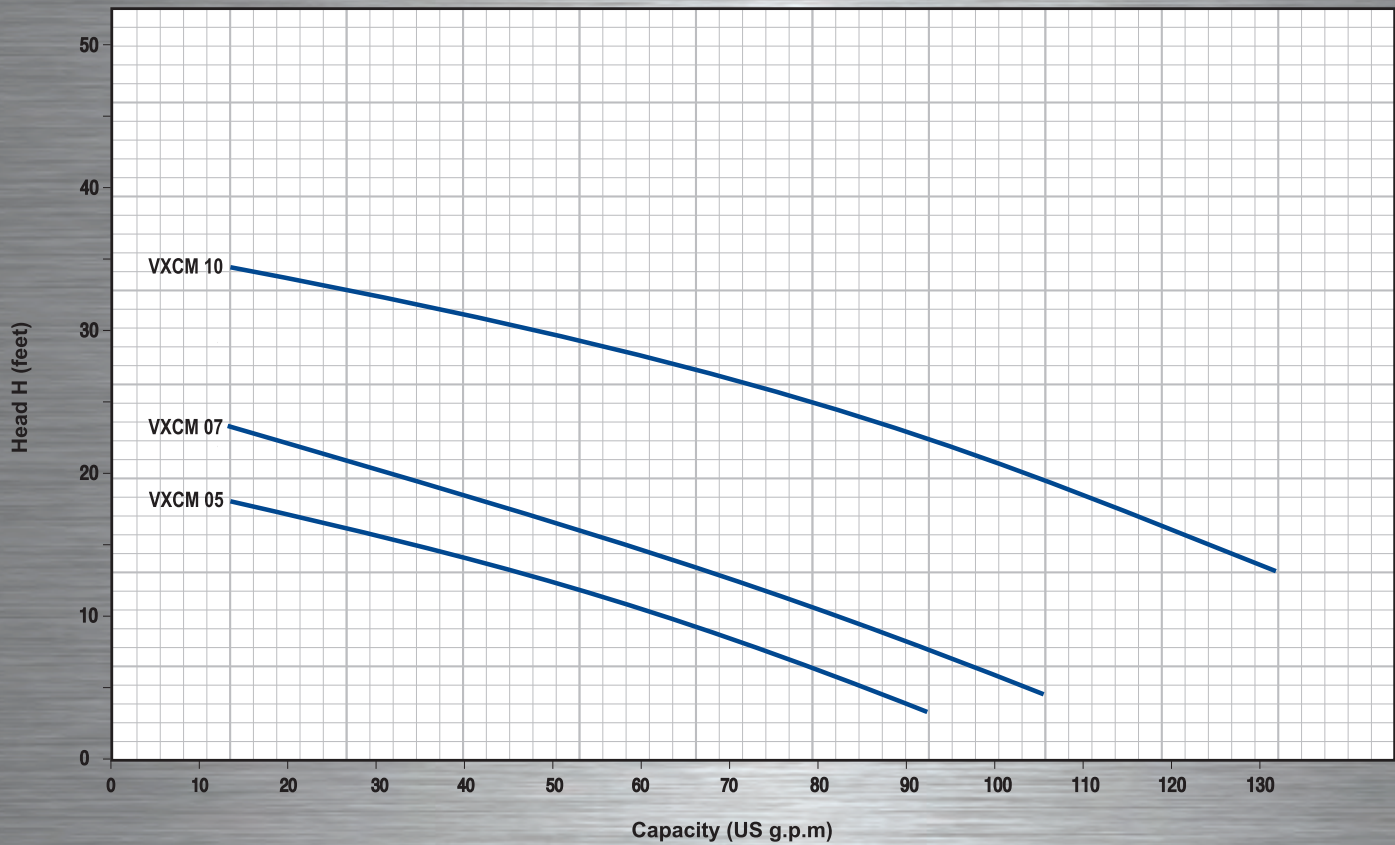


tech.support (954) 474 9090

www.pedrollousa.com

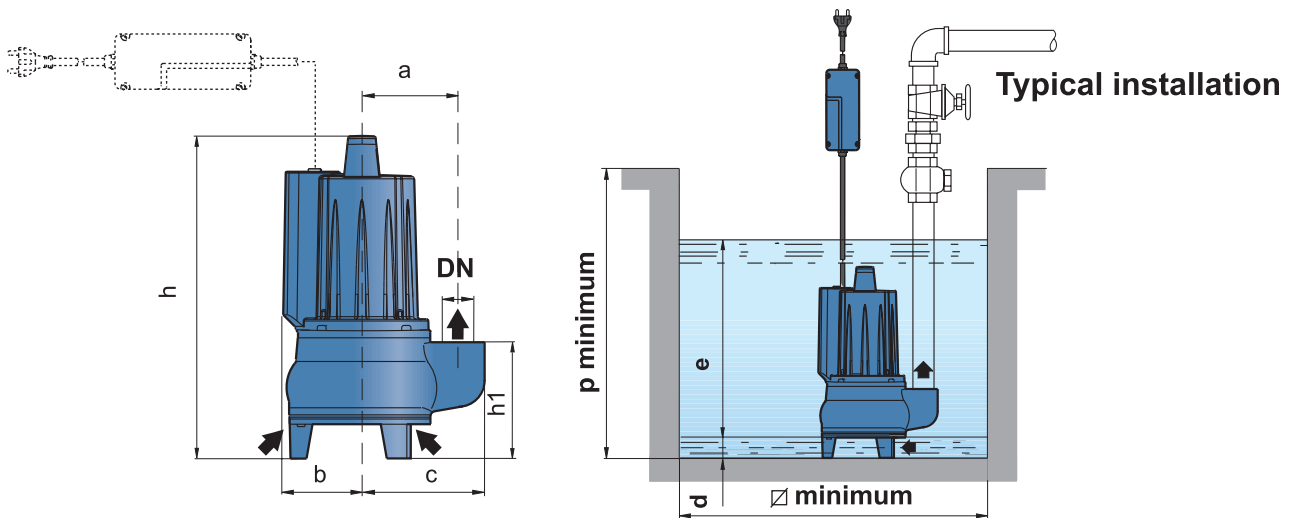
customerservice@pedrollousa.com

CURVES AND PERFORMANCE DATA



MODEL		HP	CAPACITY GPM	H Feet												
1 PH	3PH			0	13.2	26	40	53	66	79	93	106	119	132		
VXCM 05		0.5		20	18	16	14	12	9	7	3					
VXCM 07	VXCM 07	0.7		25	23	21	19	16	13	10	8	5				
VXCM 10	VXCM 10	1		36	34	33	31	30	27	25	22	20	16	13		

DIMENSIONS AND WEIGHTS



MODEL		DISCH	Passage of Solids bodies	DIMENSIONS INCHES												LBS	
1 PH	3PH	DN		a	b	c	h	h1	m	n	o	d	e	p	Ømin	1~	3~
VXCM 05		2"	2"	4.3	3.5	5.9	14.8	5.8	3.2	7.9	2.6	2.2	Adjustable	19.7	19.7	39.8	
VXCM 07	VXCM 07			4.7	3.8	6.4	16.6	6.0								43.5	39.8
VXCM 10	VXCM 10			48.4	46.0												