

# VXCH

effluent vortex  
submersible pumps

Manual Option

VORTEX submersible pumps made of cast iron, particularly robust and reliable, ideal for fixed installations. The proven VORTEX system allows the clearing of dirty water containing suspended solids.



## RANGE OF PERFORMANCE

Capacity up to 119 gpm  
Head up to 49 ft

## LIMITS OF USE

Depth up to 30 ft  
Liquid temperature up to 104°F  
Solid handling 1 1/2"  
For continuous duty: minimum immersion 11" from pump base

## CONSTRUCTION AND SAFETY STANDARDS

EN 60 335-1      EN 60034-1  
IEC 335-1        IEC 34-1  
CEI 61-150       CEI 2-3



## INSTALLATION AND USE

THE PUMPS IN THE VXCH SERIES ARE MADE OF EXCEPTIONALLY ROBUST HEAVY-GAUGE CAST IRON, RESISTANT TO ABRASION AND ARE EQUIPPED WITH A VORTEX TYPE IMPELLER. THEY ARE RECOMMENDED FOR DRAINING WASTE WATER CONTAINING SUSPENDED SOLID BODIES, SEWAGE AND WATER MIXED WITH MUD.

**GUARANTEE 2 YEAR** subject to our general terms of sale.

## CONSTRUCTION CHARACTERISTICS

**PUMP BODY:** cast iron, with threaded port  
**MOTOR CASING AND BASE:** cast iron.  
**IMPELLER:** stainless steel AISI 304.  
**MOTOR SHAFT:** stainless steel EN 10088-3 - 1.4104.  
**DOUBLE SEAL:** mechanical seal silicon carbide - NBR, with oil barrier chamber and inner lip seal to protect the seal in the event of dry running.  
**MOTOR:** submersible asynchronous for continuous duty.  
**VXCH:** single-phase 115V or 230 V - 60 Hz with thermal overload protector.  
**VXCH:** three-phase 230V - 60 Hz.  
**INSULATION:** class F. •**PROTECTION:** IP 68.

## STANDARD FEATURES:

- VXCH** (single-phase) Float switch.  
Neoprene power cord "H07 RN-F"  
length 30 ft  
Control box with capacitor (Protection IP 64).
- VXCH** (three-phase) Neoprene power cord "H07 RN-F"  
length 30 ft

## OPTIONS ON REQUEST

other voltages or frequency 50 Hz

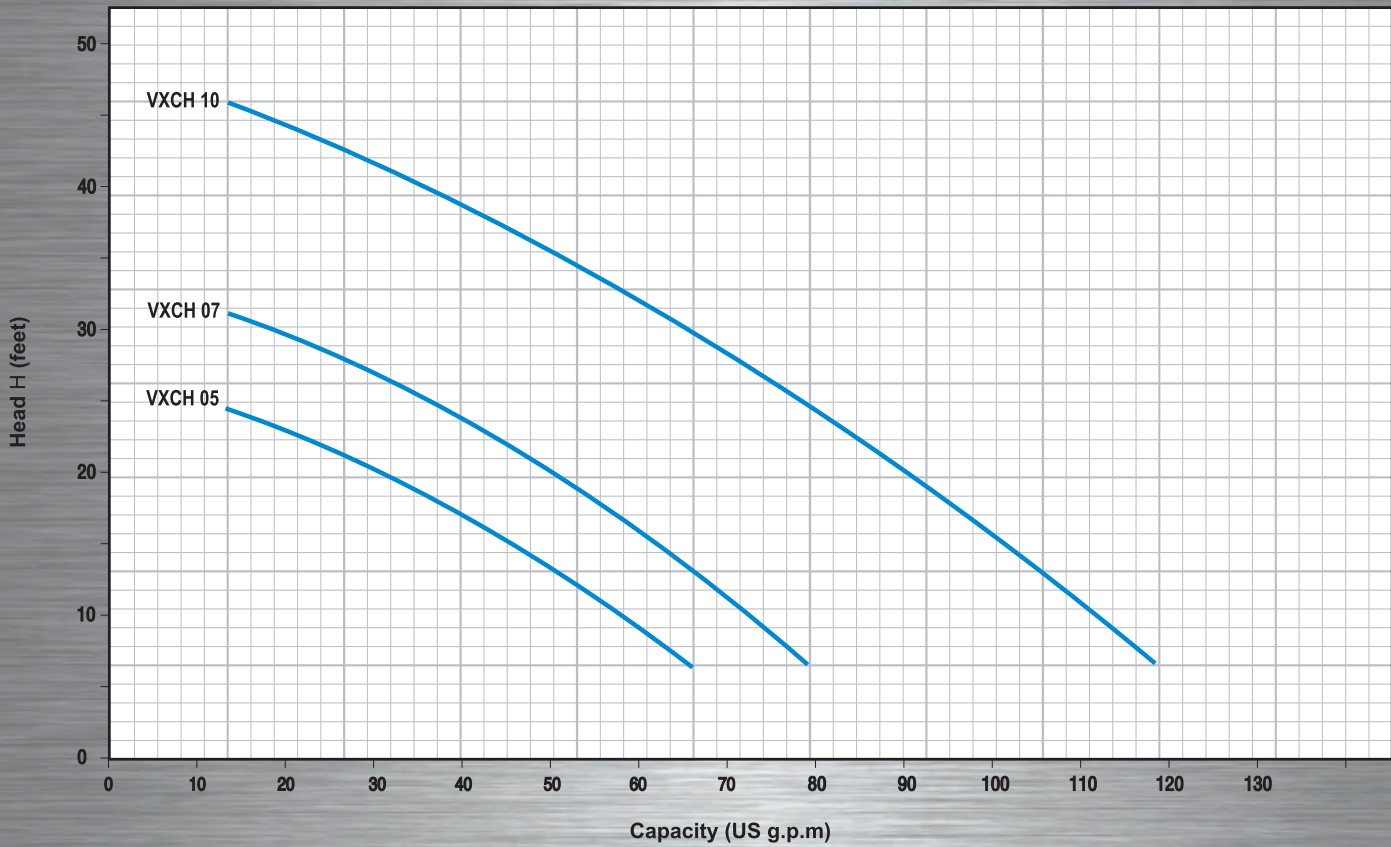


 tech.support (954) 474 9090

 www.pedrollousa.com

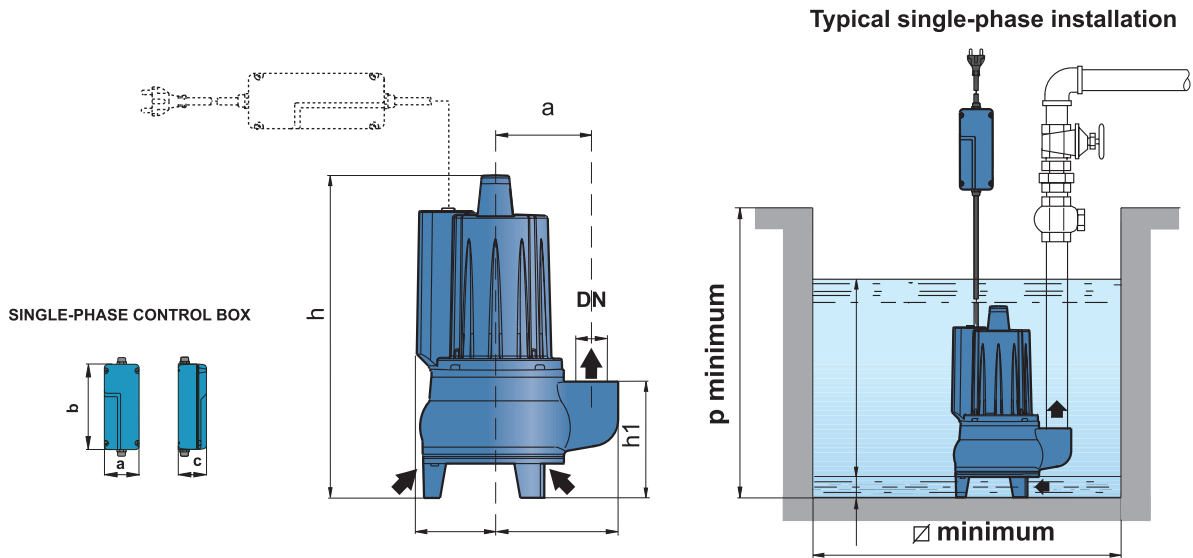
 customerservice@pedrollousa.com

CURVES AND PERFORMANCE DATA



MODEL		HP	CAPACITY GPM	H Feet										
1 PH	3 PH			0	13.2	26	40	53	66	79	93	106	119	
VXCH 05		0.5	H Feet	28	25	21	17	12	7					
VXCH 07	VXCH 07			0.7	33	31	28	24	19	13	7			
VXCH 10	VXCH 10			1	49	46	43	39	34	30	25	20	13	7

DIMENSIONS AND WEIGHTS



MODEL		DISCH DN	Passage of Solid bodies	DIMENSIONS INCHES													LBS	
1 PH	3 PH			a	b	c	h	h1	m	n	o	d	e	p	∅min	1~	3~	
VXCH 05		1 1/2"	1 1/2"	4.1	3.5	5.4	13.8	4.8	3.2	7.9	2.6	1.6	Adjustable	19.7	19.7	37.6		
VXCH 07	VXCH 07			4.3	3.6	5.6	14.6	5.2								41.3	37.8	
VXCH 10	VXCH 10			46.2	43.8													