

TOPV

effluent vortex pump

Thanks to the proven VORTEX system, this submersible pump allows the clearing of dirty water containing suspended solid bodies without any risk of clogging the impeller.



RANGE OF PERFORMANCE

Capacity up to 47 gpm
Head up to 23 ft

LIMITS OF USE

Depth up to 10 ft
Liquid temperature up to 104°F - continuous duty.
Solid Handling up to Ø 3/4"
Drainage level 1" from the bottom

CONSTRUCTION AND SAFETY STANDARDS

EN 60 335-1 EN 60034-1
IEC 335-1 IEC 34-1
CEI 61-150 CEI 2-3



INSTALLATION AND USE

THE **TOP - VORTEX** PUMP IS SUITABLE FOR DRAINING DIRTY WATER THAT IS CHEMICALLY NON AGGRESSIVE. THE CONSTRUCTION GUARANTEES SIMPLE AND SAFE OPERATION DUE TO THE COMPLETE COOLING OF THE MOTOR BY THE PUMPED WATER AND THE DOUBLE SEAL DESIGN.

IT IS RECOMMENDED FOR DOMESTIC USE, FOR THE CLEARING OF DIRTY WATER, FOR EMPTYING TANKS, DOMESTIC DRAINS AND COLLECTION TRAPS, EVEN WITH SUSPENDED SOLID BODIES WITH DIMENSIONS UP TO Ø 3/4".

GUARANTEE 2 YEAR subject to our general terms of sale.

CONSTRUCTION CHARACTERISTICS

DELIVERY BODY: glass filled technopolymer, particularly resistant to impact and corrosion, with threaded port.

SUCTION GRID: technopolymer.

IMPELLER: technopolymer.

MOTOR SUPPORT: stainless steel AISI 304.

MOTOR SHAFT: stainless steel EN 10088-3 - 1.4104.

DOUBLE SEAL: mechanical seal ceramic - graphite - NBR, with oil barrier chamber and inner lip seal to protect the seal in the event of dry running.

MOTOR: submersible asynchronous single-phase for continuous duty.

TOP-VORTEX: single-phase 115 V or 230 V - 60 Hz with capacitor and thermal overload protector.

INSULATION: class F. • **PROTECTION:** IP 68.

REGISTERED MODEL n° 72765.

STANDARD FEATURES:

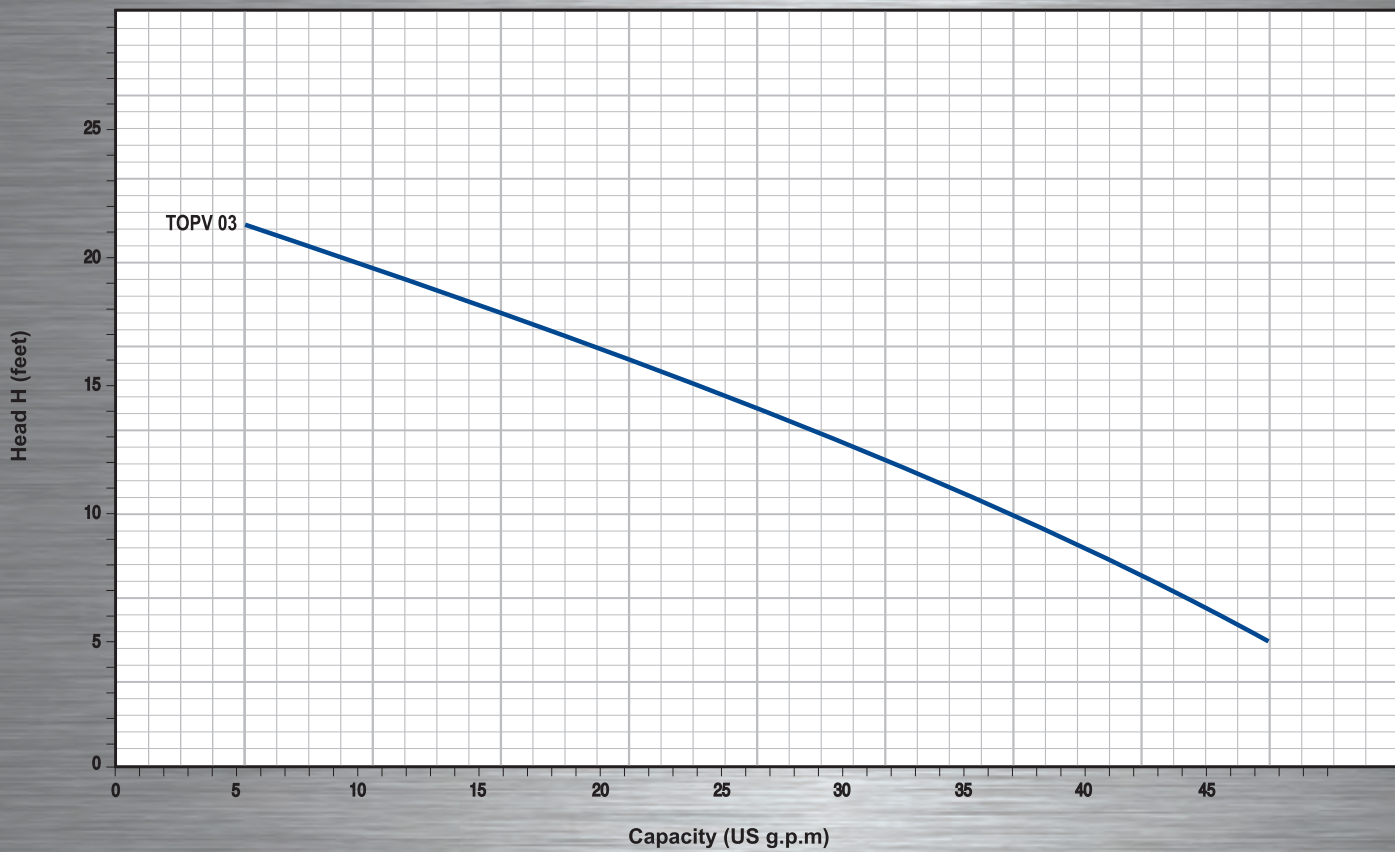
TOP-VORTEX Float switch.
Hosetail.
Neoprene power cord "H05 RN-F"
length 30 ft.

OPTIONS ON REQUEST

special mechanical seal
15 ft power cord.
other voltages or frequency 50 Hz

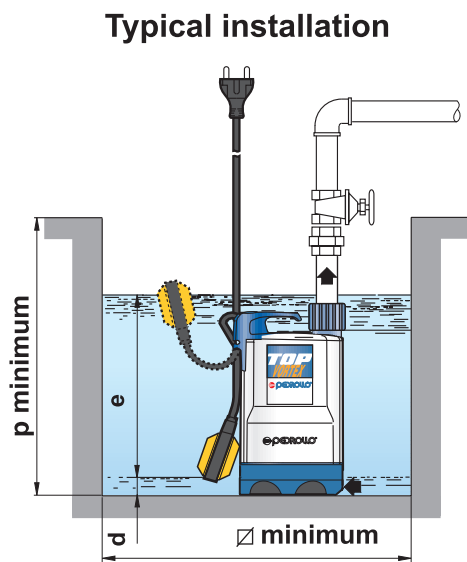
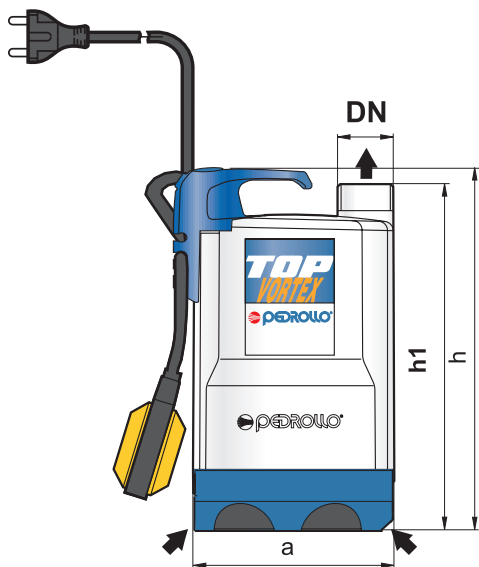


CURVES AND PERFORMANCE DATA



MODEL	HP	CAPACITY GPM	Capacity (US g.p.m.)									
			0	5	10	15	21	26	31	37	42	47
TOPV 03	0.33	H Feet	23	21	19	17	15	13	11	9	8	4

DIMENSIONS AND WEIGHTS



MODEL	DISCH	DIMENSIONS INCHES							LBS
		a	h	h1	d	e	p	∅ min	
TOPV 03	1 1/4"	6.0	11.3	10.6	1.0	Adjustable	13.7	13.7	11.0