

TOP

sump pump

Already recognized for their innovative design and safety features, TOP pumps combine a stainless steel internal motor housing with technologically advanced materials to give an exceptionally robust construction.



RANGE OF PERFORMANCE

Capacity up to 105 gpm
Head up to 48 ft

LIMITS OF USE

Depth up to 16 ft (10 ft up to 0.55 Hp)
Liquid temperature up to 104°F- continuous duty
Solids Handling up to 3/8"
Drainage level:
1/2" from the bottom for TOP up to 0.3 Hp

INSTALLATION AND USE

THE TOP SERIES IS SUITABLE FOR DRAINING CLEAR WATER WITHOUT ABRASIVE PARTICLES. THE CONSTRUCTION GUARANTEES SIMPLE AND SAFE OPERATION DUE TO THE COMPLETE COOLING OF THE MOTOR BY THE PUMPED WATER AND THE DOUBLE SEAL DESIGN. THEY ARE RECOMMENDED FOR EMERGENCY DRAINING OF SMALL FLOODED AREAS (ROOMS, CELLARS, GARAGES), FOR THE DISPOSAL OF WASTE WATER IN THE HOME (DISHWASHER, WASHING MACHINE) AND FOR EMPTYING DRAINAGE TRAPS.

GUARANTEE 2 YEAR subject to our general terms of sale.

CONSTRUCTION CHARACTERISTICS

DELIVERY BODY: glass filled technopolymer, particularly resistant to impact and corrosion, with threaded port.

SUCTION GRID: technopolymer.

IMPELLER: open type in technopolymer.

MOTOR SUPPORT: stainless steel AISI 304.

MOTOR SHAFT: stainless steel EN 10088-3 - 1.4104.

DOUBLE SEAL: mechanical seal ceramic -graphite - NBR, with oil barrier chamber and inner lip seal to protect the seal in the event of dry running.

MOTOR: submersible asynchronous single-phase for continuous duty.

TOP: single-phase 115 V or 230 V - 60 Hz with capacitor and thermal overload protector built into the winding.

INSULATION: class F. • **PROTECTION:** IP 68.

REGISTERED MODEL n° 72765.

STANDARD FEATURES:

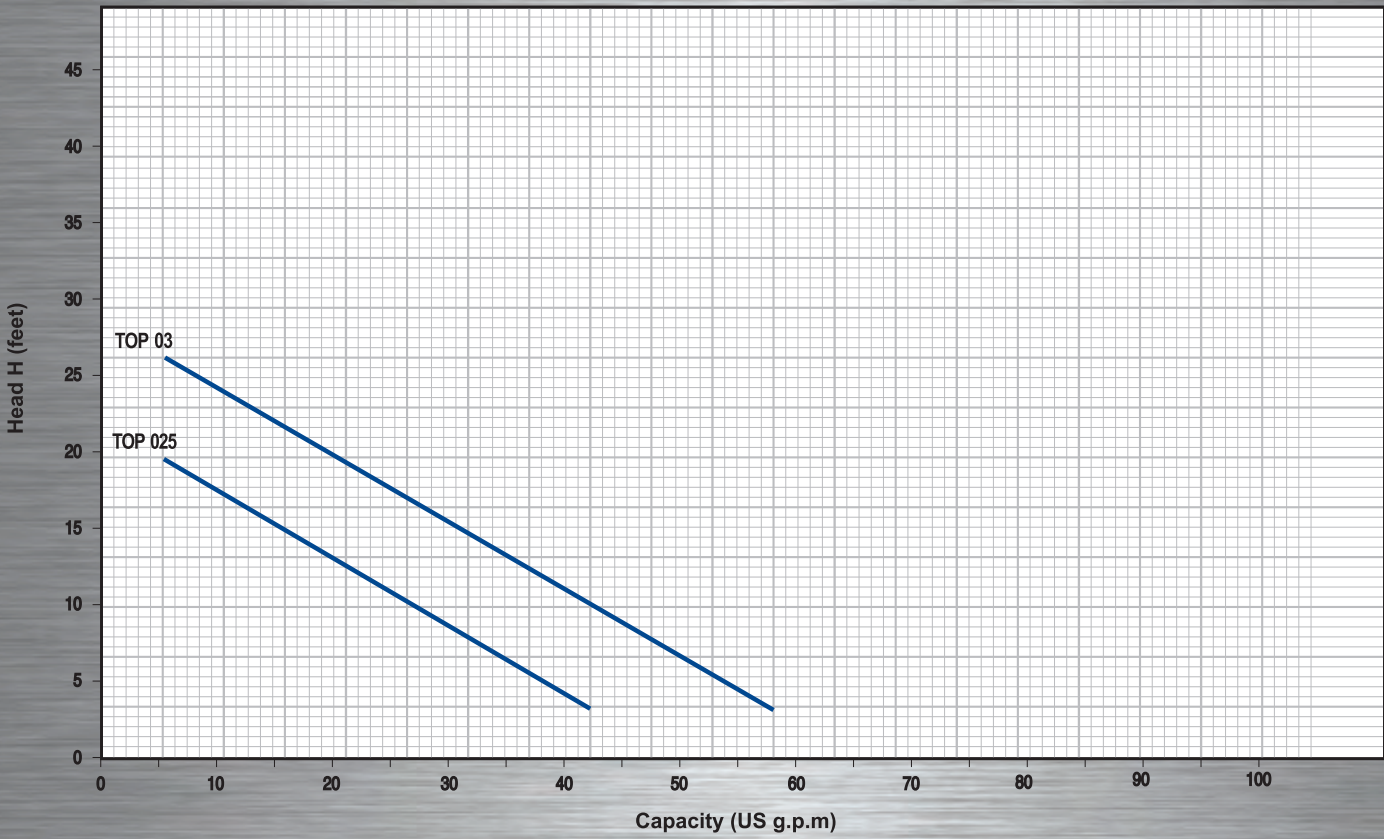
TOP up to 0.5 Hp (single-phase) Float switch
Hosetail
Power cord in neoprene "H05 RN-F"
length 30 ft

OPTIONS ON REQUEST

pumps for aggressive liquids TOP - LA
special mechanical seal
15 ft power cord
other voltages or frequency 50 Hz

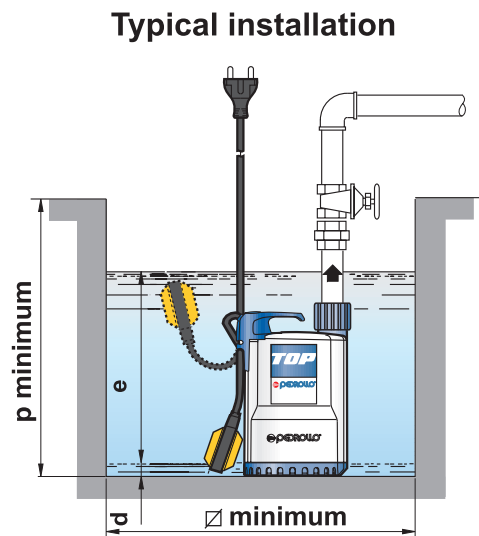
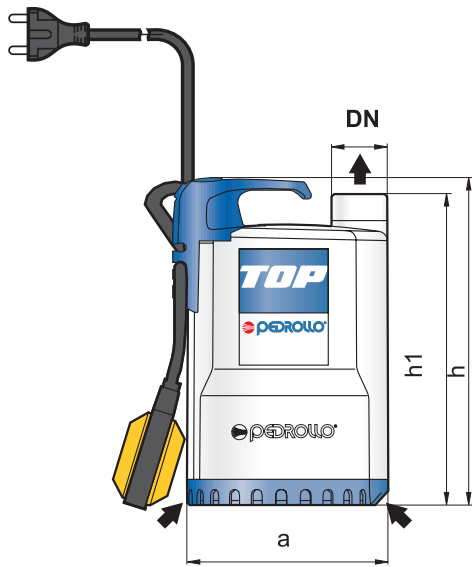


CURVES AND PERFORMANCE DATA



MODEL	HP	CAPACITY GPM	0	5.3	11	16	21	27	31	37	42	47	52	58
1 PH														
TOP 025	0.25	H Feet	23	20	18	15	12	8	7	3				
TOP 03	0.33		30	26	24	21	20	18	15	13	10	8	6	3

DIMENSIONS AND WEIGHTS



MODEL	DISCH	DIMENSIONS INCHES							LBS
1 PH	DN	a	h	h1	d	e	p	∅min	
TOP 025	1"	5.9	9.1	8.5	14	Adjustable	13.7	13.7	9.1
TOP 03	1 1/4"		10.1	9.3			17.7	17.7	11.1