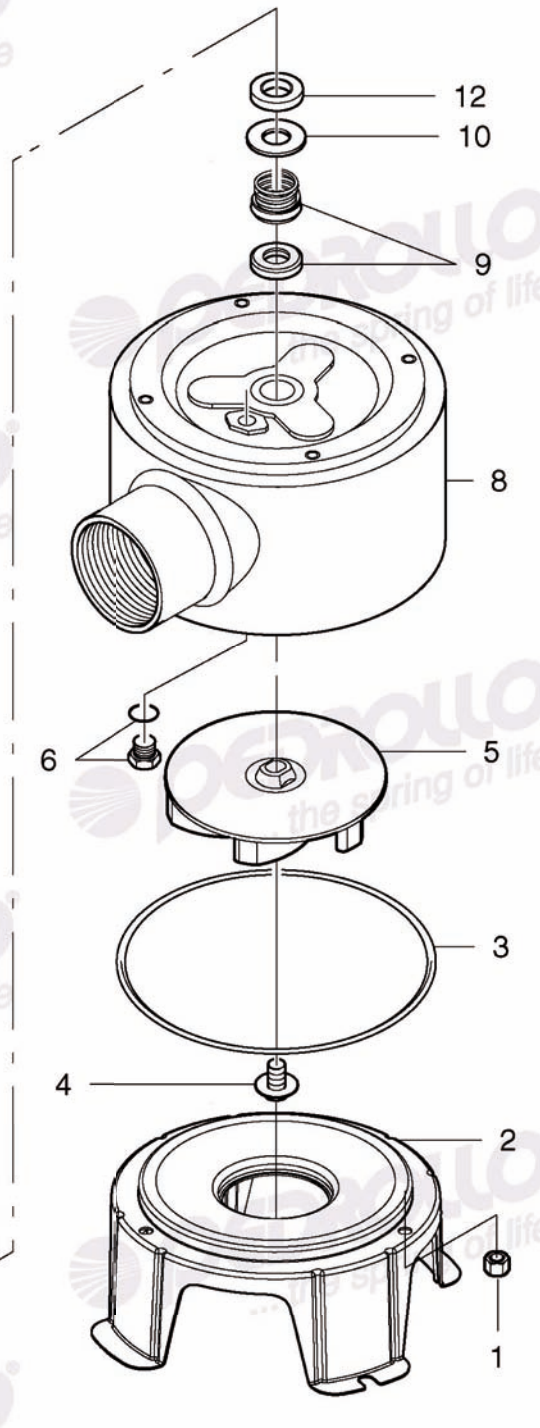
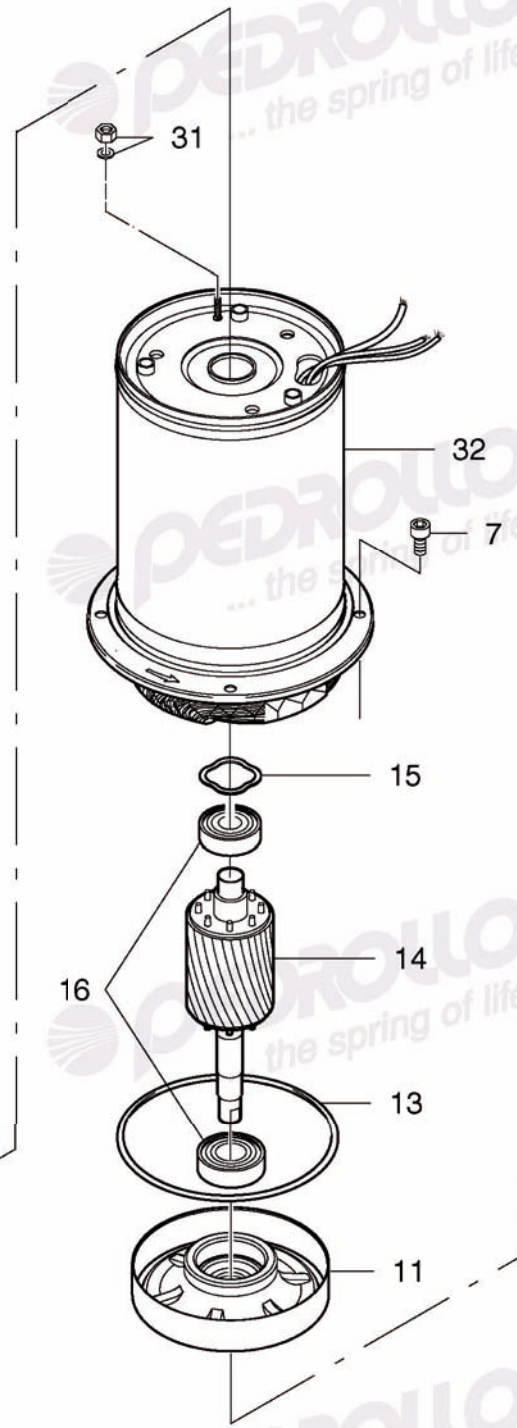


Release: A - 02.29.07

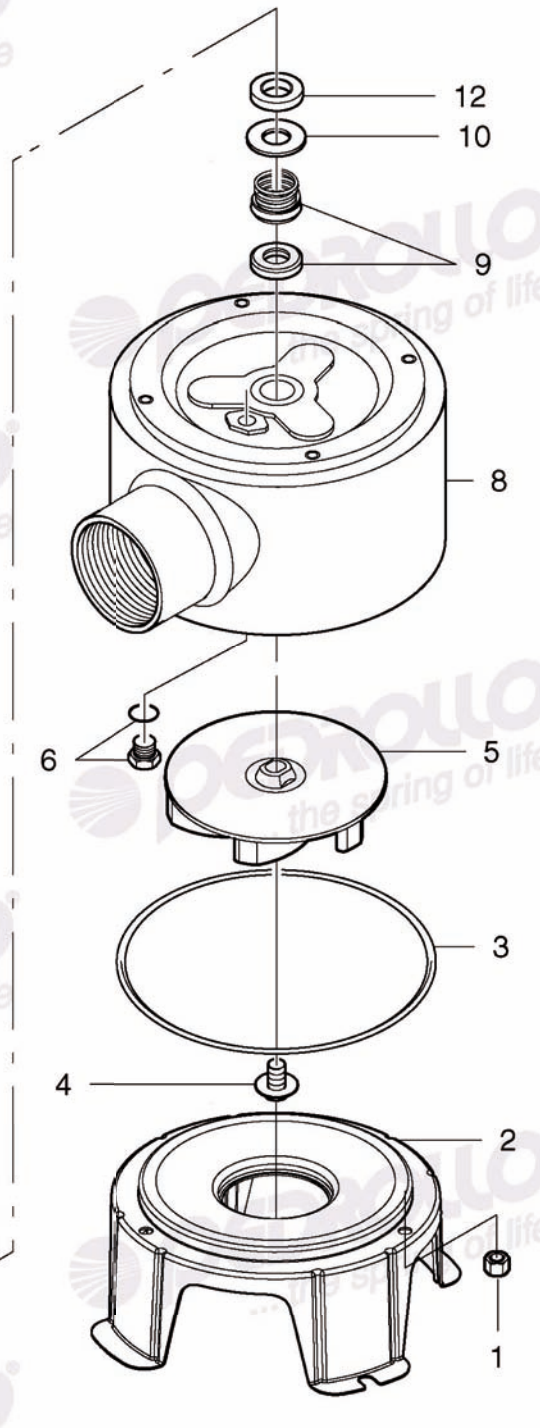
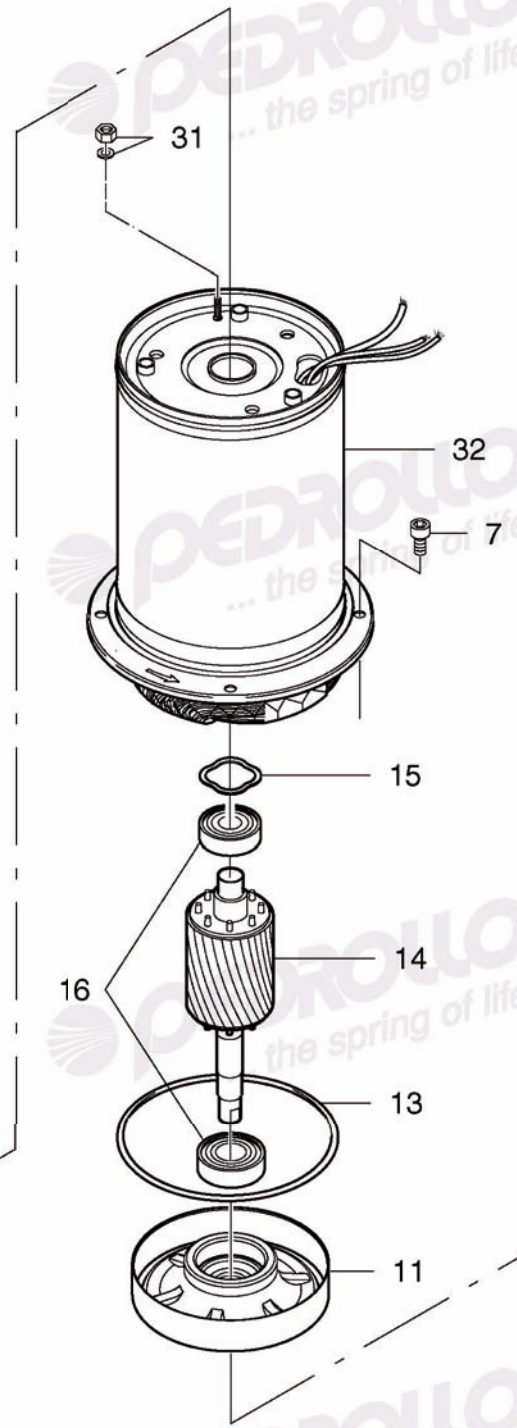
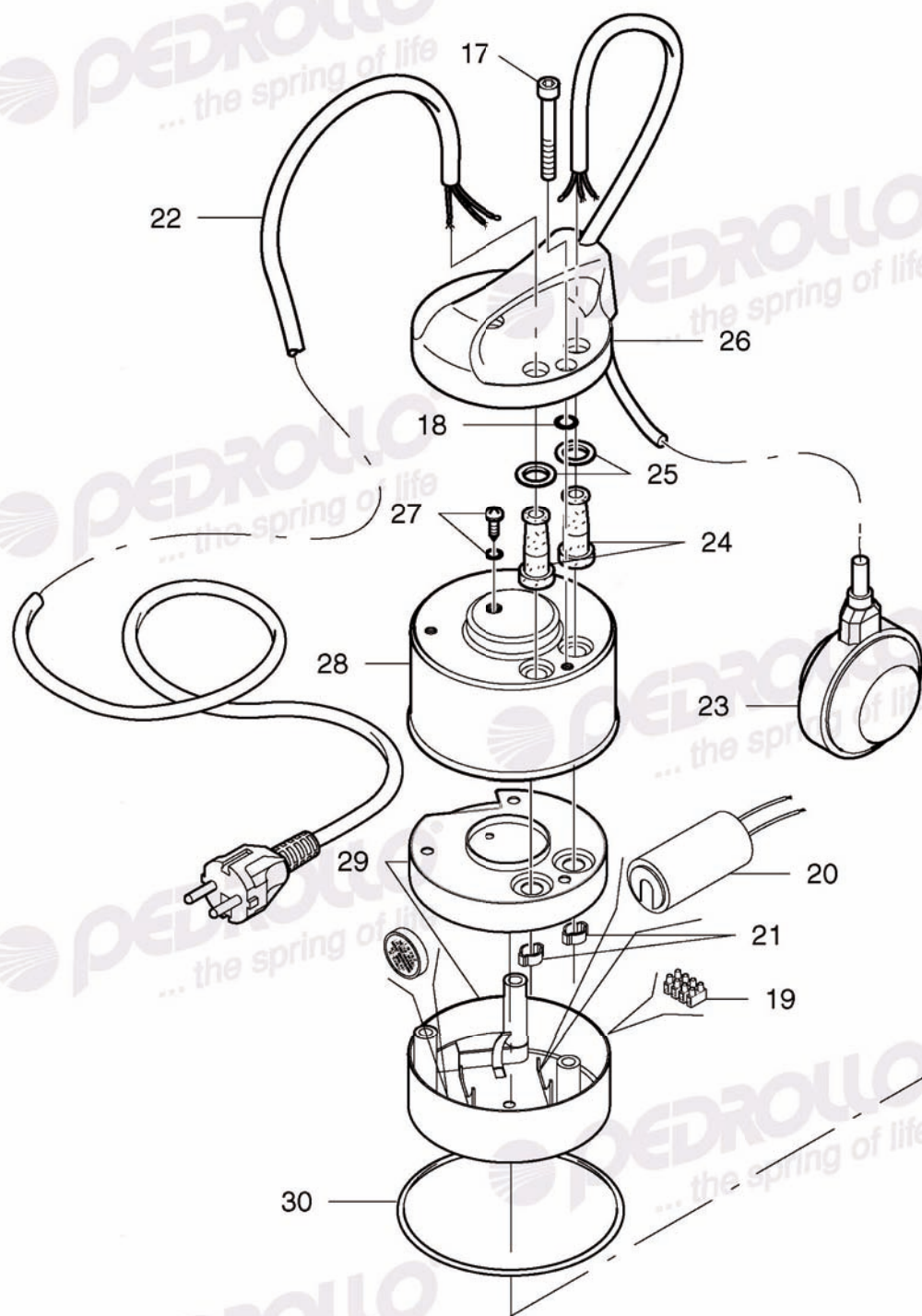
60Hz



VXS 05A16S

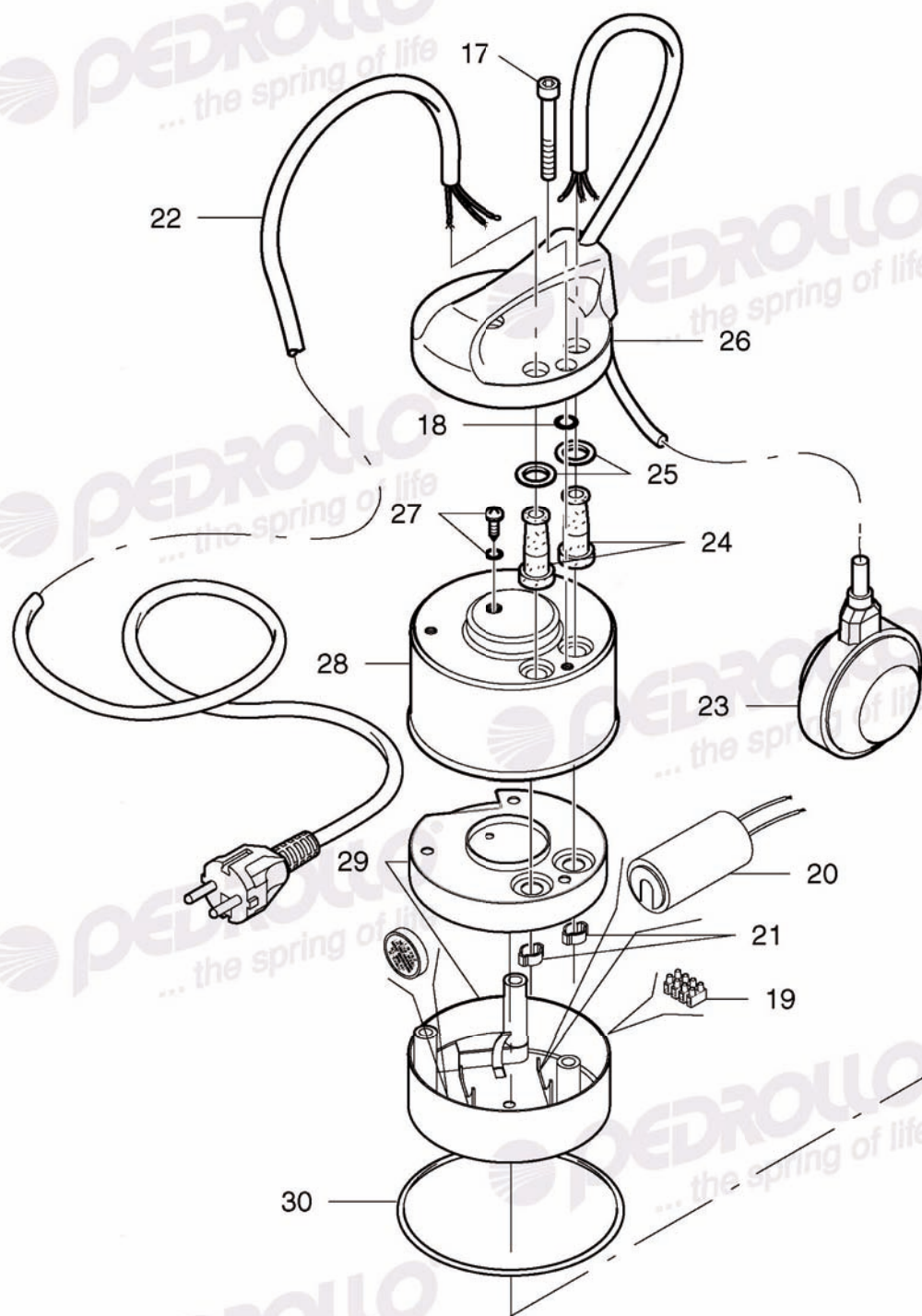
POSITION	CODE	QUANTITY	DESCRIPTION
0001	1169016	3	Nut
0002	859SV145	1	Base
0003	1150548	1	Gasket
0004	1160059	1	Screw
0005	161GRVI856	1	Impeller
0006	119008XA	1	Plug with O-Ring
0007	1160280	4	Screw
0008	859VX015F	1	Pump body
0009	11516151002	1	Mechanical seal Ø 14 mm
0010	114702	1	Washer
0011	859SV118	1	Motor cover
0012	11514501225	1	Sealing ring
0013	11514201581	1	O-Ring
0014	RFC07S70M	1	Shaft with rotor
0015	114001	1	Compensation spring
0016	113002	2	Ball bearing
0017	1160295	3	Screw
0018	11514201310	3	O-Ring
0019	114460	1	Terminal board
0020	1110162F	1	Capacitor 16 µF
0021	1171081	2	Clamping ring
0022	117GLA51L	1	Supply cable with plug
0023	50014S05	1	Float switch
0024	1171057	2	Cable grommets
0025	114749	2	Washer
0026	119955	1	Handle
0027	1160338A	1	Screw
0028	859CSV1NL	1	Upper cover
0029	118055A	1	Insulating covers
0030	11514201595	1	O-Ring
0031	116900A	1	Nut with washer
0032	CA07VXB0P1	1	Motor casing with windings (220V - 60 Hz)

Technical modifications reserved.



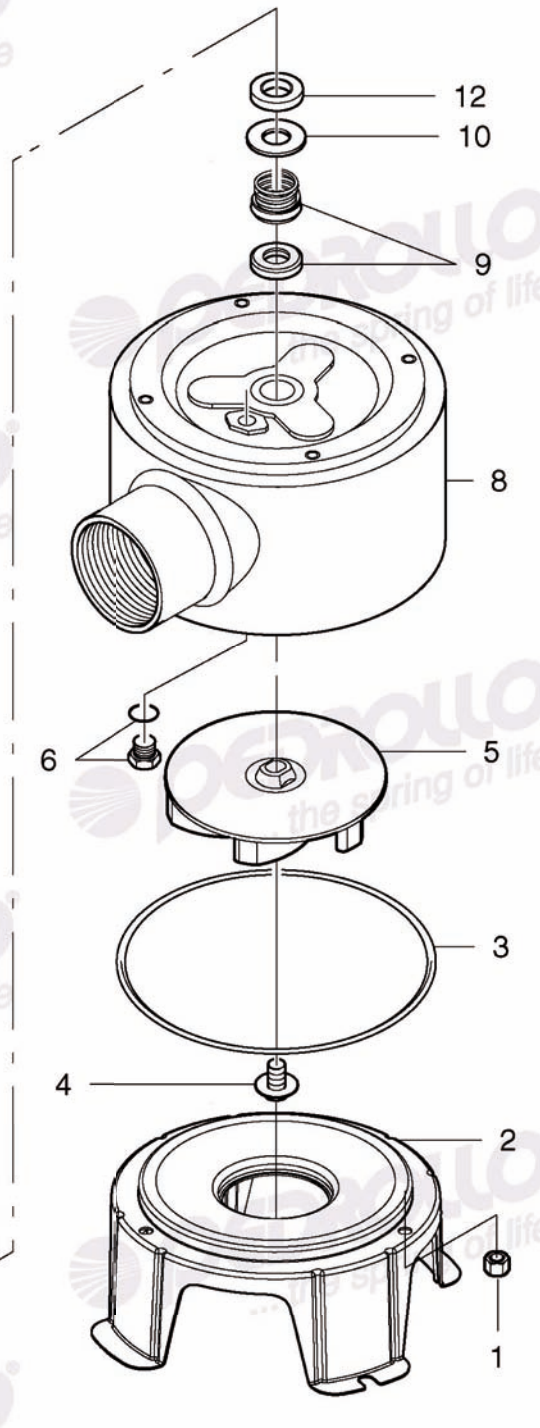
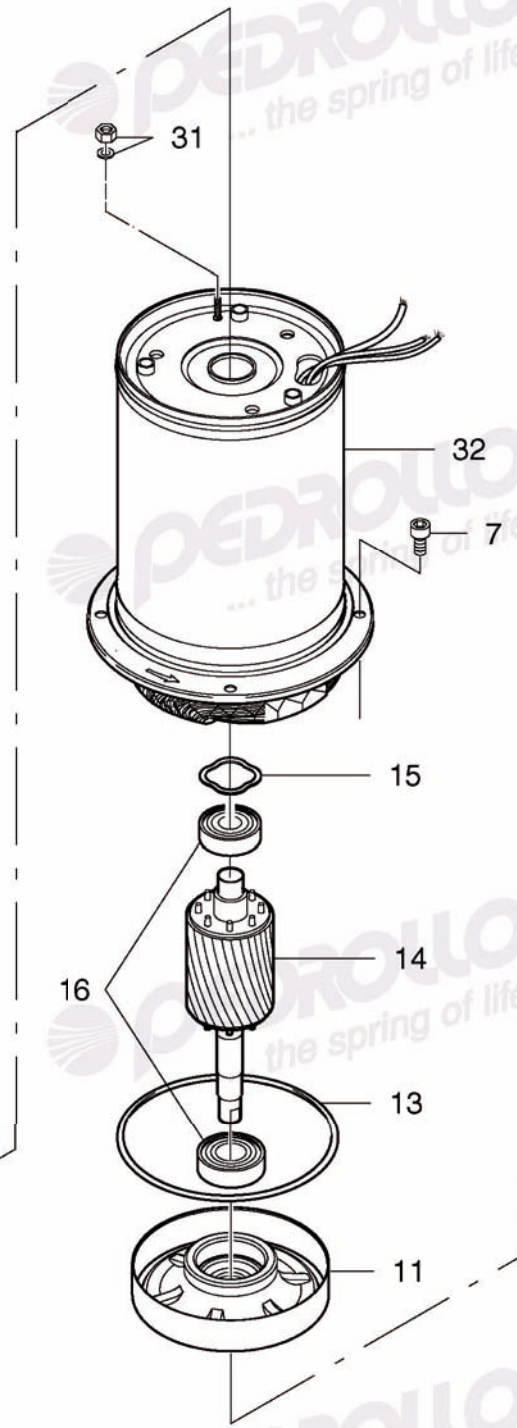
POSITION	CODE	QUANTITY	DESCRIPTION
0001	1169016	3	Nut
0002	859SV145	1	Base
0003	1150548	1	Gasket
0004	1160059	1	Screw
0005	161GRVI1056	1	Impeller
0006	119008XA	1	Plug with O-Ring
0007	1160280	4	Screw
0008	859VX015F	1	Pump body
0009	11516151002	1	Mechanical seal Ø 14 mm
0010	114702	1	Washer
0011	859SV118	1	Motor cover
0012	11514501225	1	Sealing ring
0013	11514201581	1	O-Ring
0014	RFC07S85M	1	Shaft with rotor
0015	114001	1	Compensation spring
0016	113002	2	Ball bearing
0017	1160295	3	Screw
0018	11514201310	3	O-Ring
0019	114460	1	Terminal board
0020	1110202F	1	Capacitor 20 µF
0021	1171081	2	Clamping ring
0022	117GLA51L	1	Supply cable with plug
0023	50014S05	1	Float switch
0024	1171057	2	Cable grommets
0025	114749	2	Washer
0026	119955	1	Handle
0027	1160338A	1	Screw
0028	859CSV1NL	1	Upper cover
0029	118055A	1	Insulating covers
0030	11514201595	1	O-Ring
0031	116900A	1	Nut with washer
0032	CA07VXA0P1	1	Motor casing with windings (220V - 60 Hz)

Technical modifications reserved.



Release: A - 02.29.07

60Hz



VXS 07C36S

POSITION	CODE	QUANTITY	DESCRIPTION
0001	1169016	3	Nut
0002	859SV145	1	Base
0003	1150548	1	Gasket
0004	1160059	1	Screw
0005	161GRVI1056	1	Impeller
0006	119008XA	1	Plug with O-Ring
0007	1160280	4	Screw
0008	859VX015F	1	Pump body
0009	11516151002	1	Mechanical seal Ø 14 mm
0010	114702	1	Washer
0011	859SV118	1	Motor cover
0012	11514501225	1	Sealing ring
0013	11514201581	1	O-Ring
0014	RFC07S71M	1	Shaft with rotor
0015	114001	1	Compensation spring
0016	113002	2	Ball bearing
0017	1160295	3	Screw
0018	11514201310	3	O-Ring
0019	114460	1	Terminal board
0021	1171082	1	Clamping ring
0022	117GOA5LA	1	Supply cable
0024	1171055	1	Cable grommets
0026	119955T	1	Handle
0027	1160338A	1	Screw
0028	859CSV1NTL	1	Upper cover
0029	118055A	1	Insulating covers
0030	11514201595	1	O-Ring
0031	116900A	1	Nut with washer
0032	CA07VXA0P	1	Motor casing with windings (380V - 60 Hz)

Technical modifications reserved.