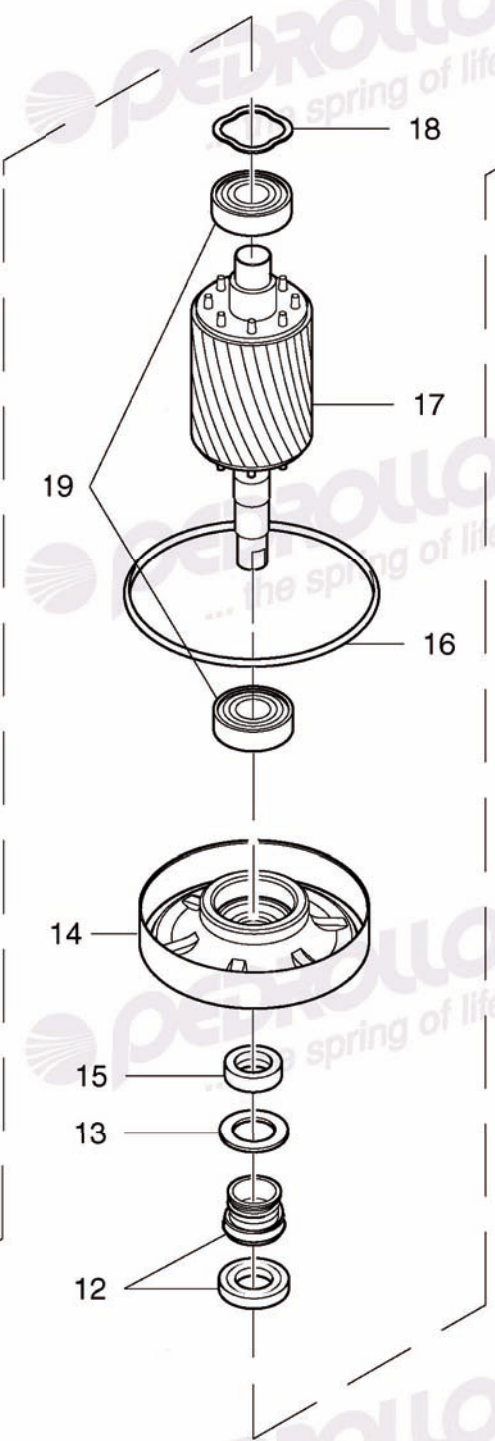


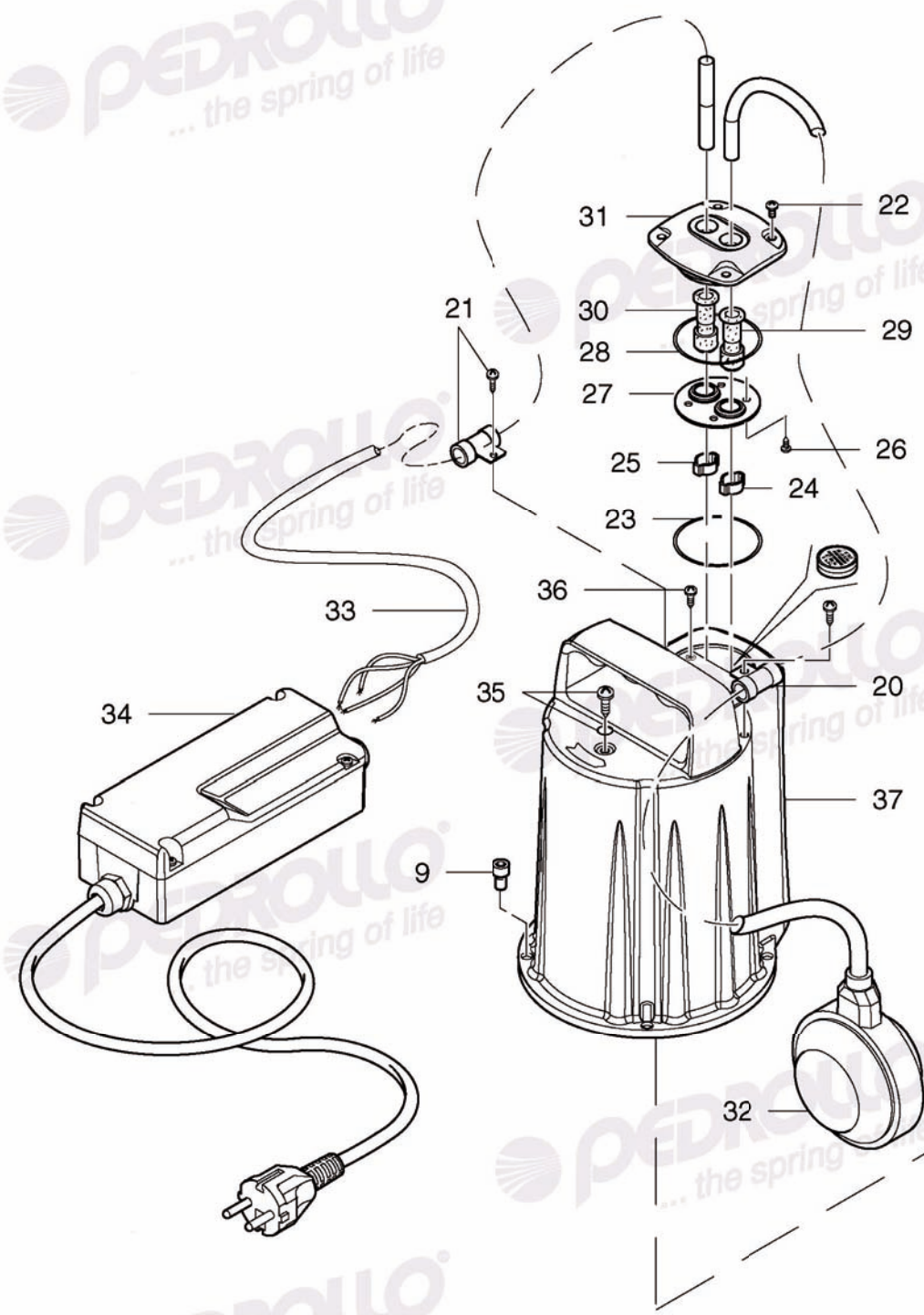
60Hz



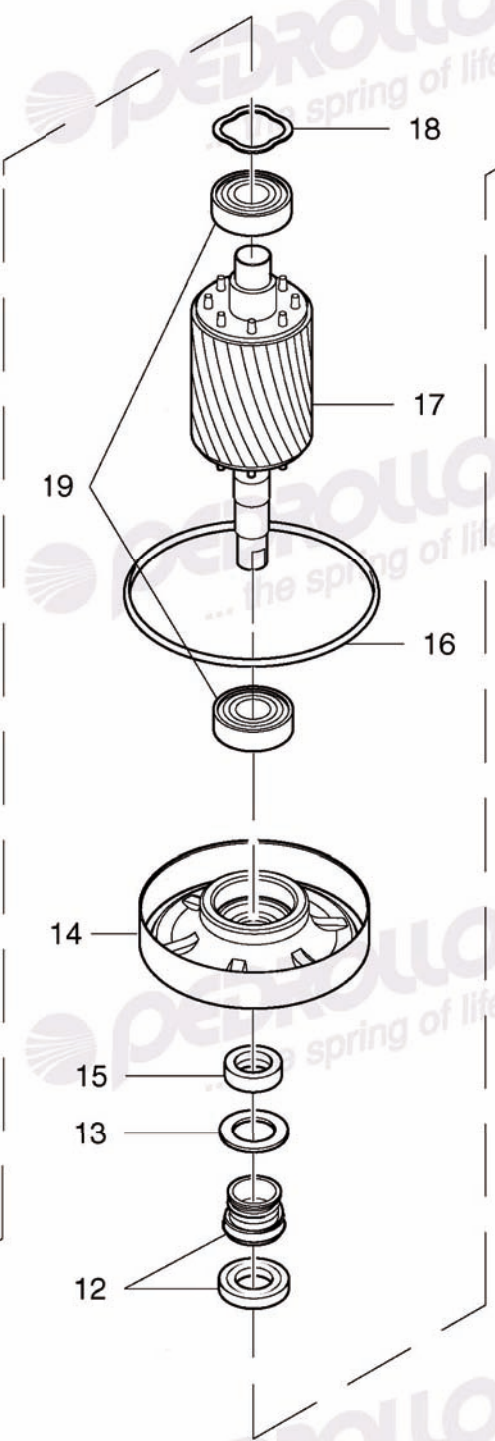
VXCH 05C16S

POSITION	CODE	QUANTITY	DESCRIPTION
0001	1160275	3	Screw
0002	859SV3035	1	Base
0003	11514201223	1	O-Ring
0004	1160280	1	Screw
0005	161GRVI86	1	Impeller
0006	1160262	3	Screw
0007	859SDI1	1	Oil chamber cover
0008	11514201543	1	O-Ring
0009	1160285	4	Screw
0010	859SVN1	1	Pump body
0011	119025C	1	Plug
0012	11516151002	1	Mechanical seal Ø 14 mm
0013	114702	1	Washer
0014	859SV118	1	Motor cover
0015	11514501225	1	Sealing ring
0016	11514201581	1	O-Ring
0017	RFC07S70	1	Shaft with rotor
0018	114001	1	Compensation spring
0019	113002	2	Ball bearing
0020	859GRFCVG	1	Float switch cable glande
0021	859GRFCV	1	Supply cable gland
0022	1160612	4	Screw
0023	11514201472	1	O-Ring
0024	1171081	1	Clamping ring
0025	1171082	1	Clamping ring
0026	1160813	4	Screw
0027	117527	1	Blocking plate
0028	11514201574	1	O-Ring
0029	1171057	1	Cable grommets
0030	1171055	1	Cable grommets
0031	119980M	1	Cover
0032	50014S05	1	Float switch
0033	117GOA6LA	1	Supply cable
0034	5RVXC08A1	1	Control box
0035	1160338A	3	Screw
0036	116031	1	Screw
0037	CA07VXB1P1	1	Motor casing with windings (220V - 60 Hz)

Technical modifications reserved.



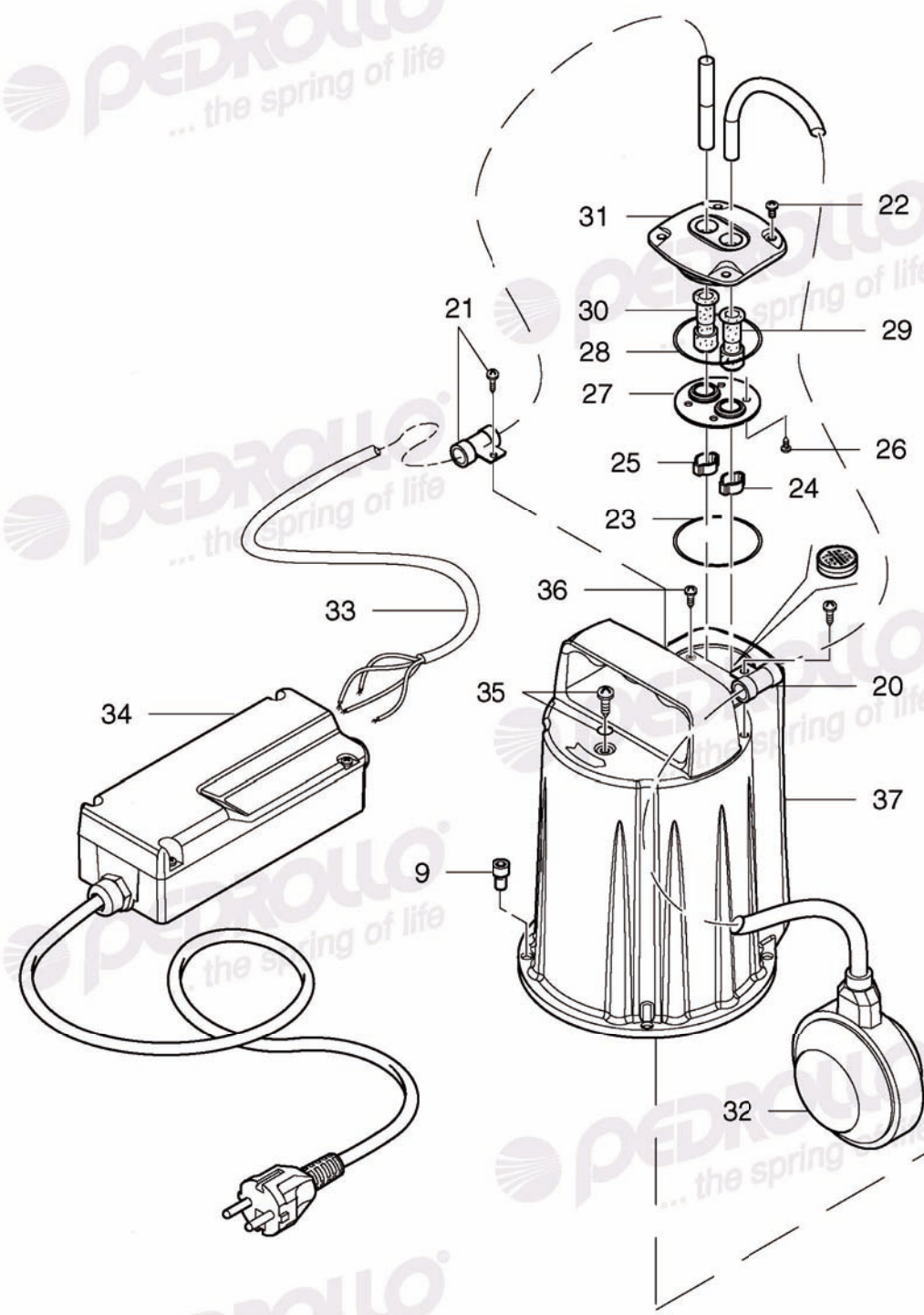
60Hz



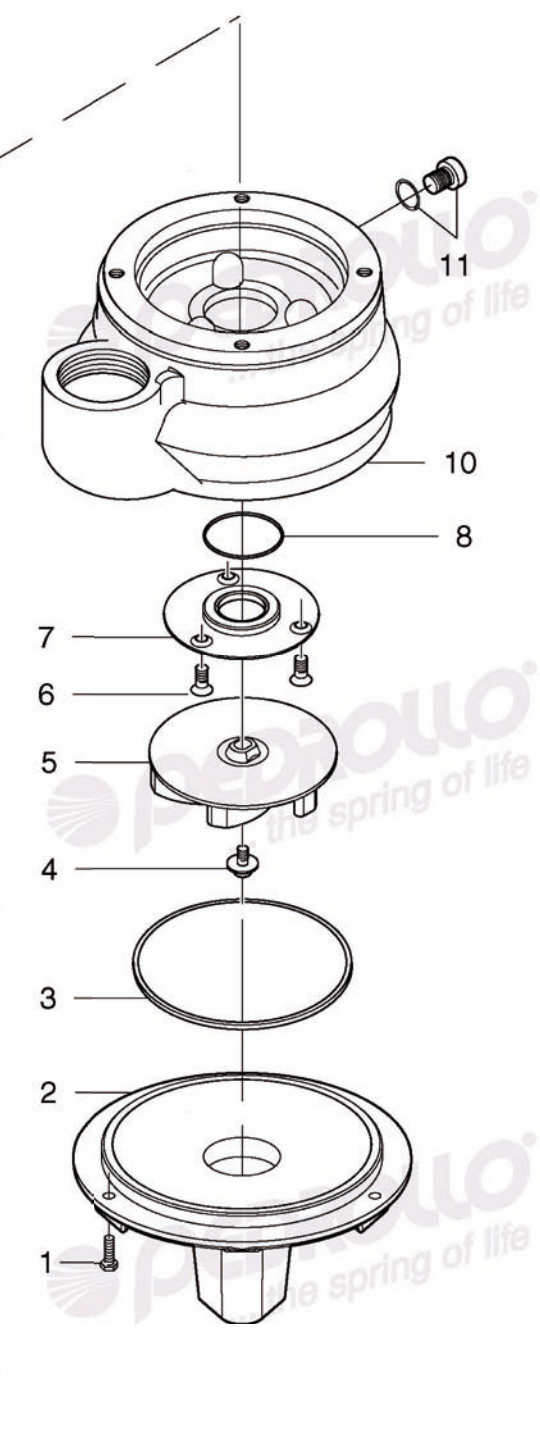
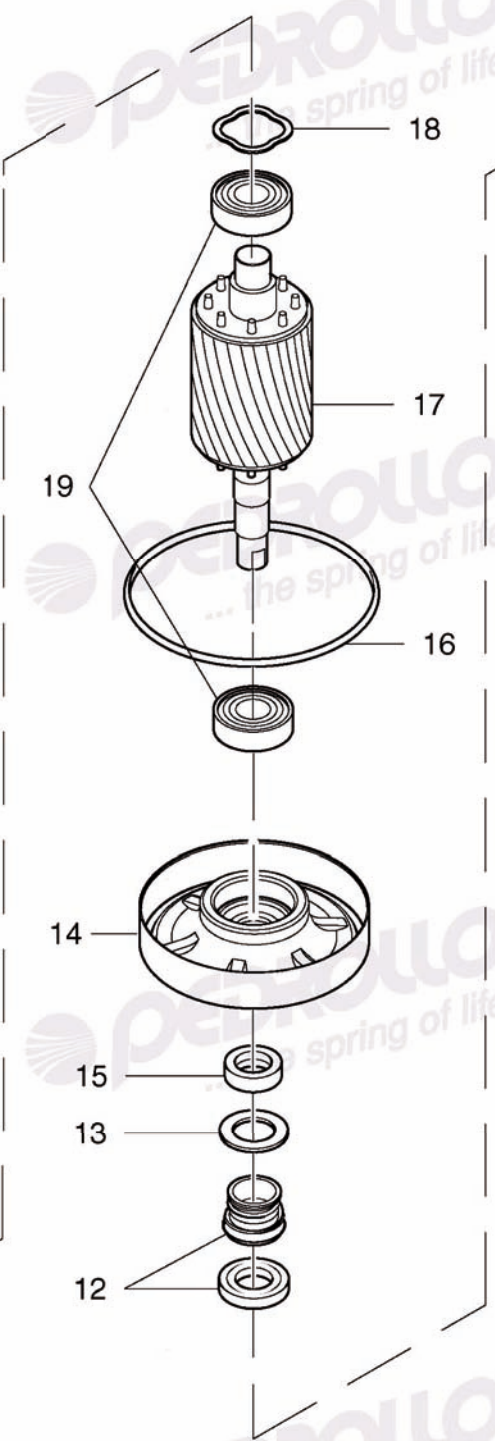
VXCH 07A16S

POSITION	CODE	QUANTITY	DESCRIPTION
0001	1160275	3	Screw
0002	859SV3035	1	Base
0003	11514201223	1	O-Ring
0004	1160280	1	Screw
0005	161GRVI106	1	Impeller
0006	1160262	3	Screw
0007	859SDI1	1	Oil chamber cover
0008	11514201543	1	O-Ring
0009	1160285	4	Screw
0010	859SVN1	1	Pump body
0011	119025C	1	Plug
0012	11516151002	1	Mechanical seal Ø 14 mm
0013	114702	1	Washer
0014	859SV118	1	Motor cover
0015	11514501225	1	Sealing ring
0016	11514201581	1	O-Ring
0017	RFC07S85	1	Shaft with rotor
0018	114001	1	Compensation spring
0019	113002	2	Ball bearing
0020	859GRFCVG	1	Float switch cable glande
0021	859GRFCV	1	Supply cable gland
0022	1160612	4	Screw
0023	11514201472	1	O-Ring
0024	1171081	1	Clamping ring
0025	1171082	1	Clamping ring
0026	1160813	4	Screw
0027	117527	1	Blocking plate
0028	11514201574	1	O-Ring
0029	1171057	1	Cable grommets
0030	1171055	1	Cable grommets
0031	119980M	1	Cover
0032	50014S05	1	Float switch
0033	117GOA6LA	1	Supply cable
0034	5RVXC10A1	1	Control box
0035	1160338A	3	Screw
0036	116031	1	Screw
0037	CA07VXA1P1	1	Motor casing with windings (220V - 60 Hz)

Technical modifications reserved.



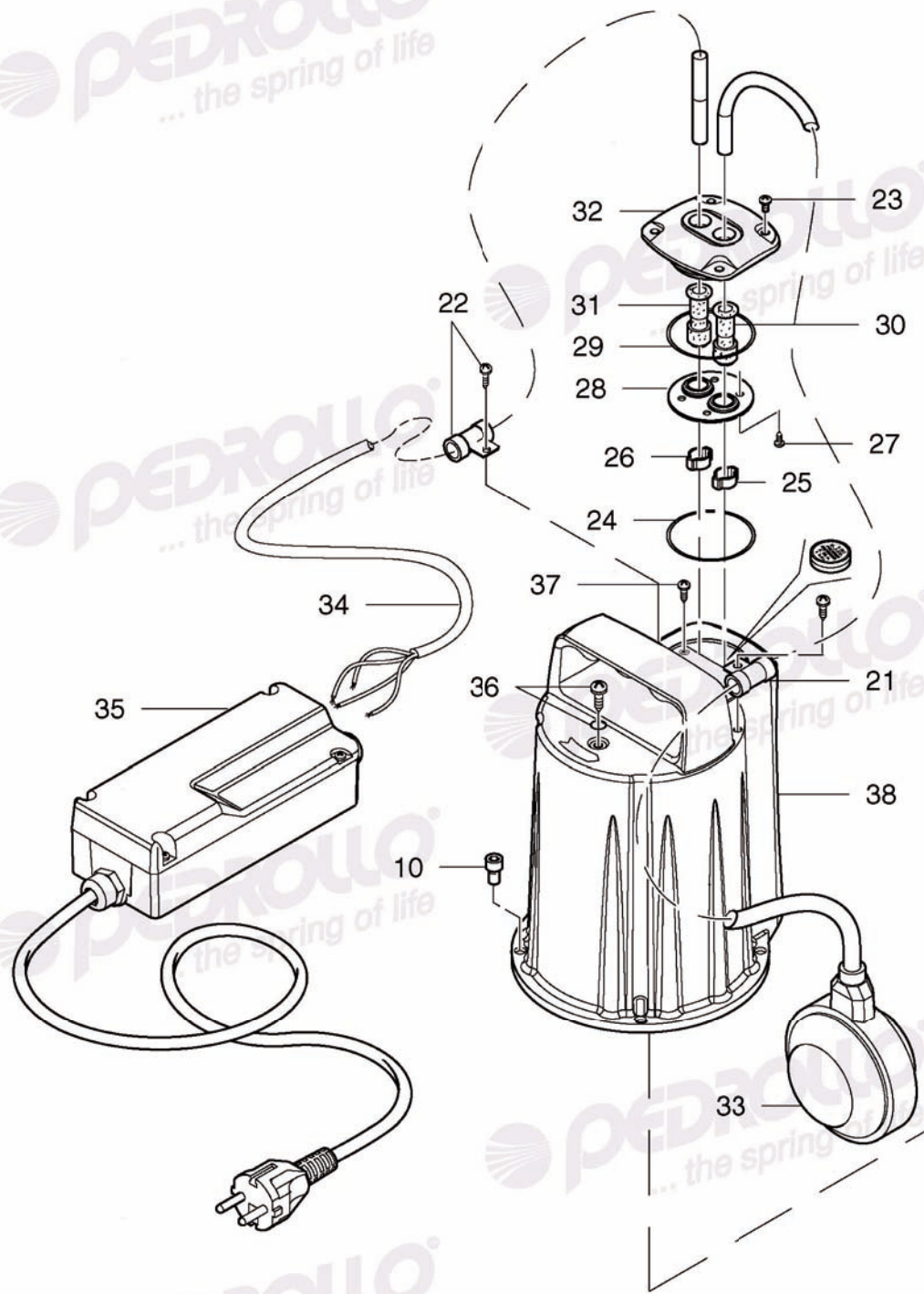
60Hz



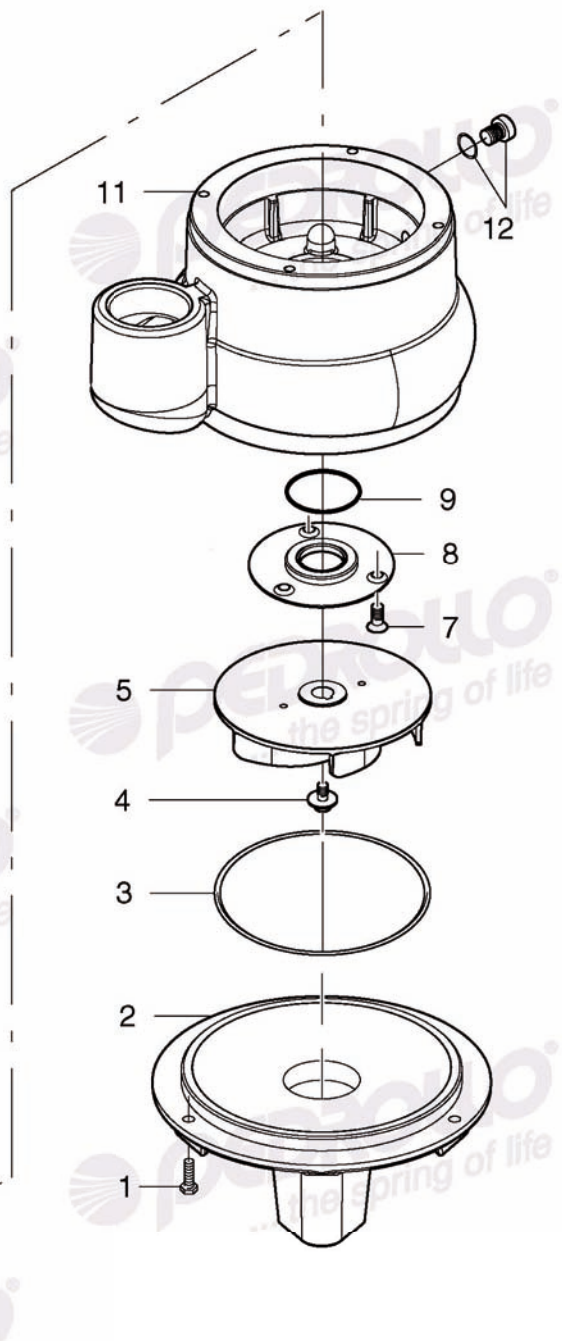
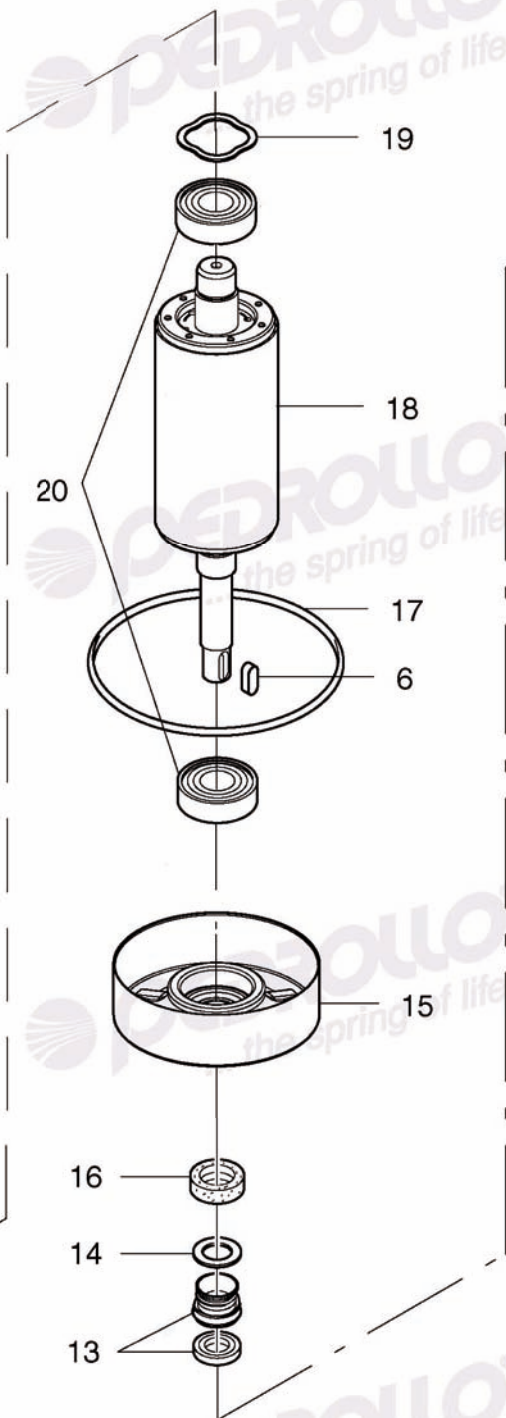
VXCH 07C36S

POSITION	CODE	QUANTITY	DESCRIPTION
0001	1160275	3	Screw
0002	859SV3035	1	Base
0003	11514201223	1	O-Ring
0004	1160280	1	Screw
0005	161GRVI106	1	Impeller
0006	1160262	3	Screw
0007	859SDI1	1	Oil chamber cover
0008	11514201543	1	O-Ring
0009	1160285	4	Screw
0010	859SVN1	1	Pump body
0011	119025C	1	Plug
0012	11516151002	1	Mechanical seal Ø 14 mm
0013	114702	1	Washer
0014	859SV118	1	Motor cover
0015	11514501225	1	Sealing ring
0016	11514201581	1	O-Ring
0017	RFC07S71	1	Shaft with rotor
0018	114001	1	Compensation spring
0019	113002	2	Ball bearing
0021	859GRFCV	1	Supply cable gland
0022	1160612	4	Screw
0023	11514201472	1	O-Ring
0025	1171082	1	Clamping ring
0026	1160813	4	Screw
0027	117527	1	Blocking plate
0028	11514201574	1	O-Ring
0030	1171055	1	Cable grommets
0031	119980T	1	Cover
0033	117GOA6LA	1	Supply cable
0035	1160338A	3	Screw
0036	116031	1	Screw
0037	CA07VXA1P	1	Motor casing with windings (380V - 60 Hz)

Technical modifications reserved.



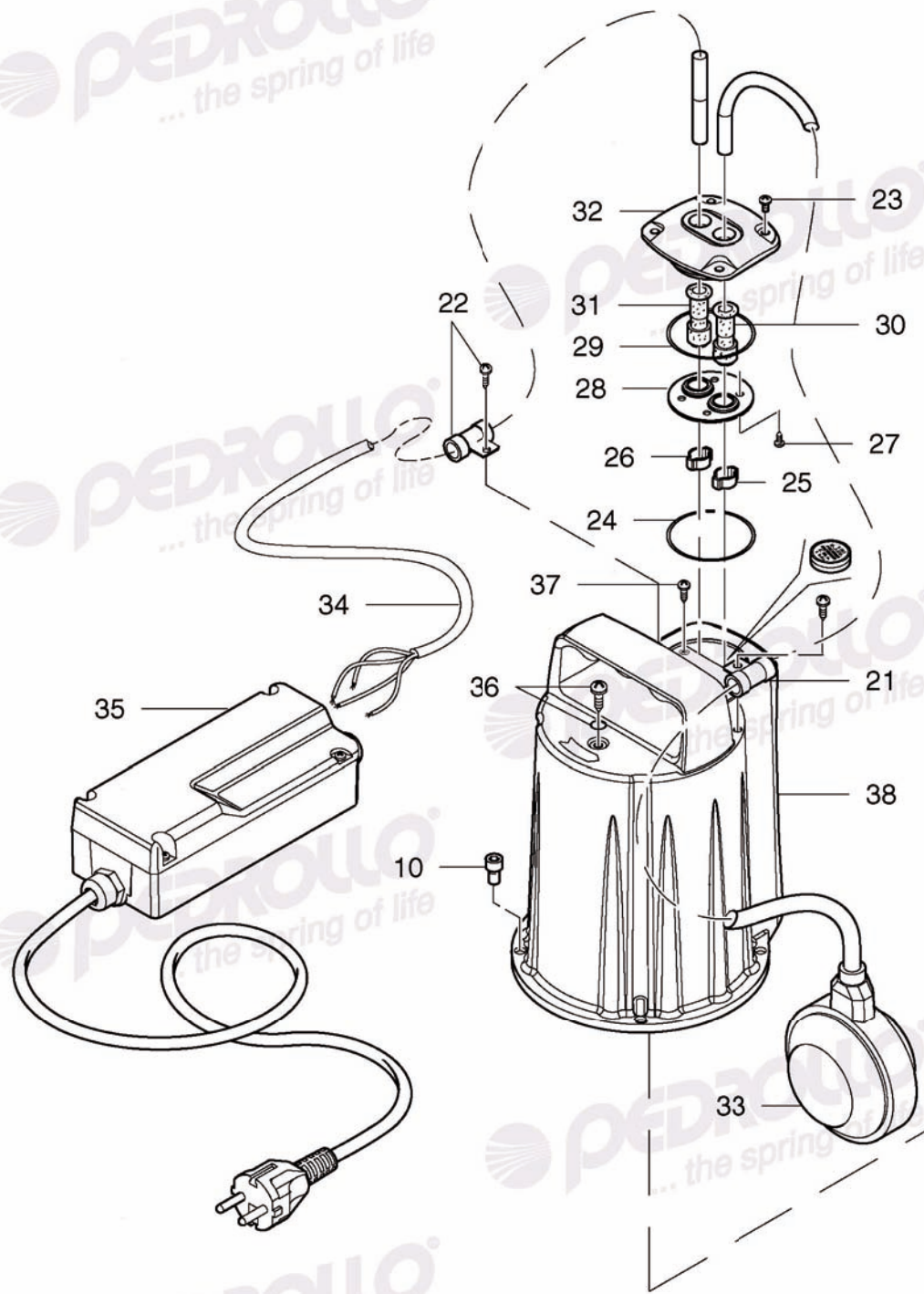
60Hz



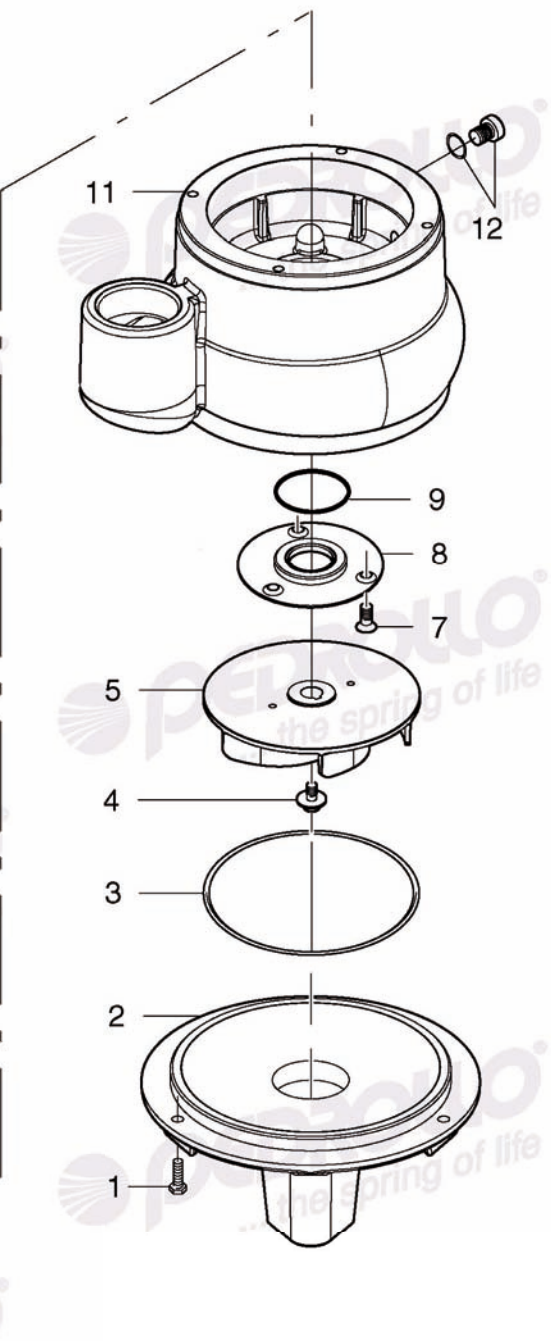
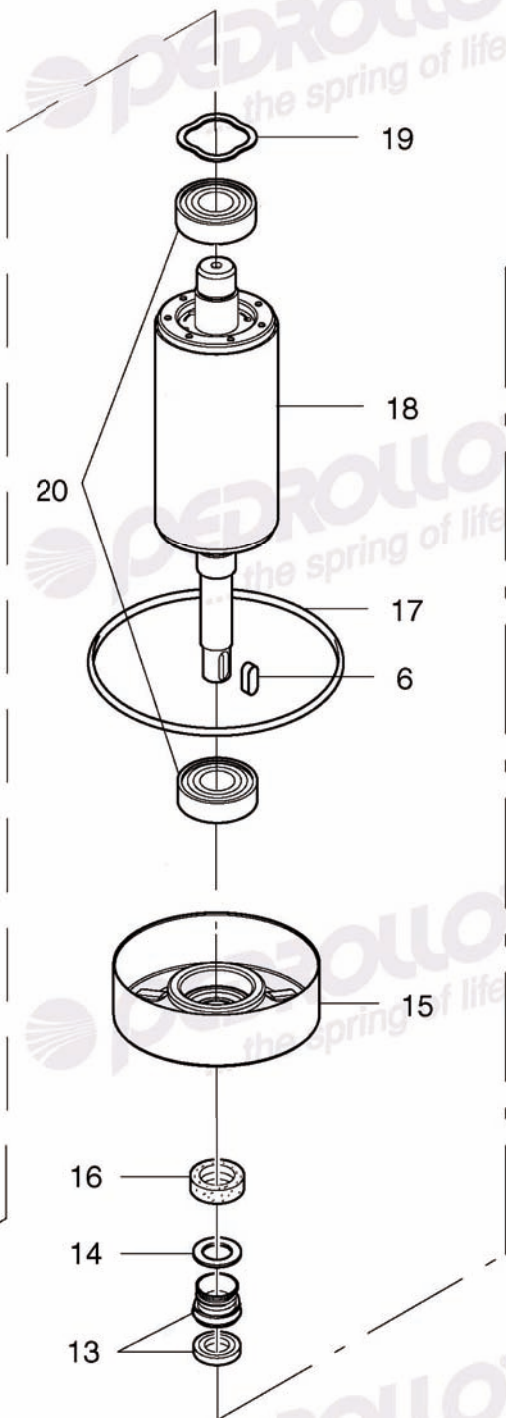
VXCH 10C16S

POSITION	CODE	QUANTITY	DESCRIPTION
0001	1160275	3	Screw
0002	859SV3035	1	Base
0003	11514201223	1	O-Ring
0004	1160059	1	Screw
0005	861GRVIM036	1	Impeller
0006	1148085	1	Stainless steel impeller key
0007	1160262	3	Screw
0008	859SDI1	1	Oil chamber cover
0009	11514201543	1	O-Ring
0010	1160285	4	Screw
0011	859SVX35	1	Pump body
0012	119025C	1	Plug
0013	11516151002	1	Mechanical seal Ø 14 mm
0014	114702	1	Washer
0015	159H2OPCX1	1	Motor cover
0016	11514501229	1	Sealing ring
0017	11514201581	1	O-Ring
0018	RFC07S86	1	Shaft with rotor
0019	114001	1	Compensation spring
0020	113002C3	2	Ball bearing
0021	859GRFCVG	1	Float switch cable glande
0022	859GRFCV	1	Supply cable gland
0023	1160612	4	Screw
0024	11514201472	1	O-Ring
0025	1171081	1	Clamping ring
0026	1171082	1	Clamping ring
0027	1160813	4	Screw
0028	117527	1	Blocking plate
0029	11514201574	1	O-Ring
0030	1171057	1	Cable grommets
0031	1171055	1	Cable grommets
0032	119980M	1	Cover
0033	50014S05	1	Float switch
0034	117GOA6LA	1	Supply cable
0035	5RVXC15A1	1	Control box
0036	1160338A	1	Screw
0037	116031	1	Screw
0038	CA07VXA15P1	1	Motor casing with windings (220V - 60 Hz)

Technical modifications reserved.



60Hz



VXCH 10C36S

POSITION	CODE	QUANTITY	DESCRIPTION
0001	1160275	3	Screw
0002	859SV3035	1	Base
0003	11514201223	1	O-Ring
0004	1160059	1	Screw
0005	861GRVIM036	1	Impeller
0006	1148085	1	Stainless steel impeller key
0007	1160262	3	Screw
0008	859SDI1	1	Oil chamber cover
0009	11514201543	1	O-Ring
0010	1160285	4	Screw
0011	859SVX35	1	Pump body
0012	119025C	1	Plug
0013	11516151002	1	Mechanical seal Ø 14 mm
0014	114702	1	Washer
0015	159H2OPCX1	1	Motor cover
0016	11514501229	1	Sealing ring
0017	11514201581	1	O-Ring
0018	RFC07S87	1	Shaft with rotor
0019	114001	1	Compensation spring
0020	113002C3	2	Ball bearing
0022	859GRFCV	1	Supply cable gland
0023	1160612	4	Screw
0024	11514201472	1	O-Ring
0026	1171082	1	Clamping ring
0027	1160813	4	Screw
0028	117527	1	Blocking plate
0029	11514201574	1	O-Ring
0031	1171055	1	Cable grommets
0032	119980T	1	Cover
0034	117GOA6LA	1	Supply cable
0036	1160338A	1	Screw
0037	116031	1	Screw
0038	CA07VXA15P	1	Motor casing with windings (380V - 60 Hz)

Technical modifications reserved.