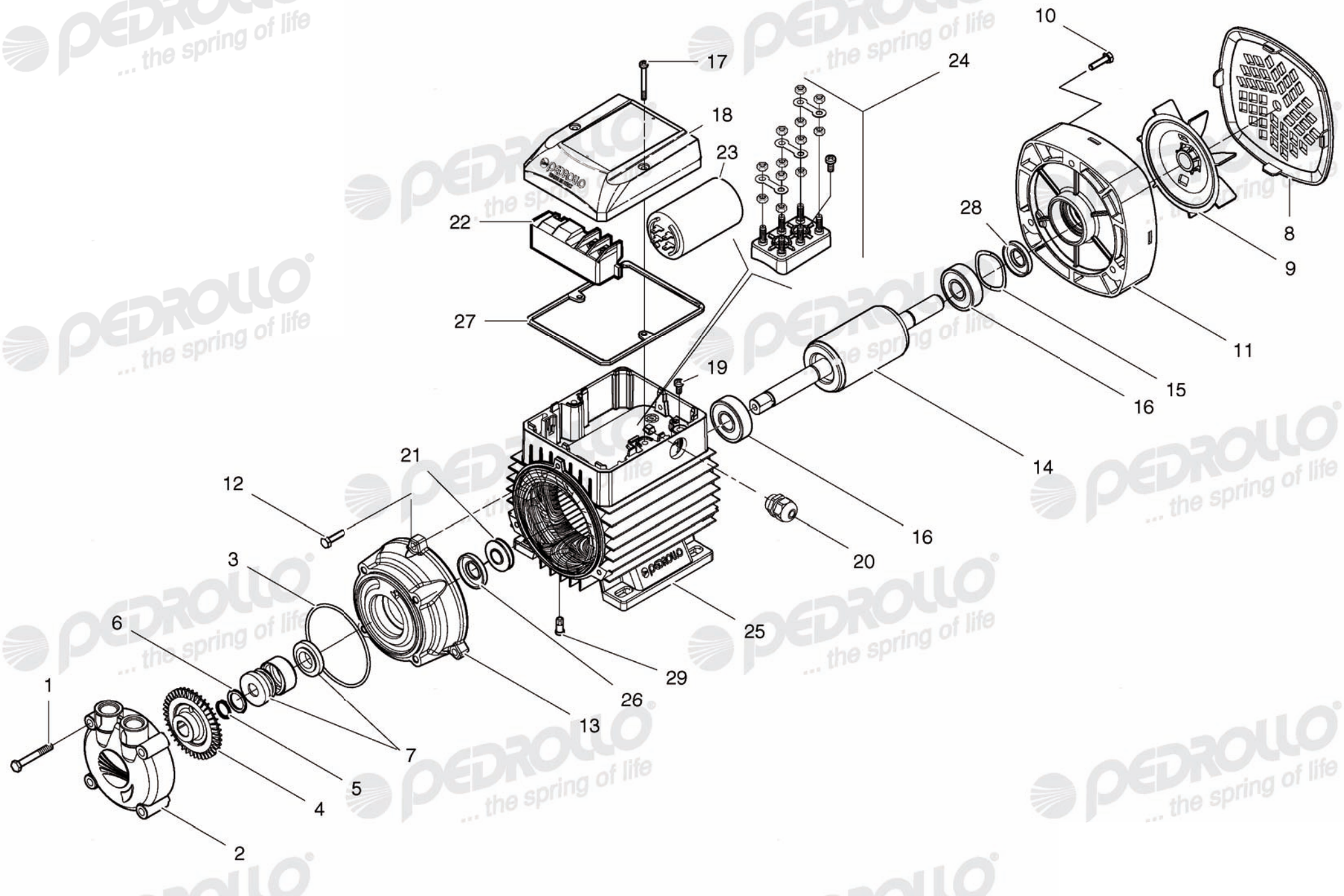


POSITION	CODE	QUANTITY	DESCRIPTION
0001	116045	4	Pump body screw
0002	860CRPV55	1	Pump body
0003	11514201359	1	Pump body O-Ring
0004	860GRPV55	1	Impeller
0005	114601	1	Circlip Ø 11 mm
0006	114700P	1	Washer
0007	11516461201	1	Mechanical seal Ø 12 mm
0008	14CL05P	1	Fan cover
0009	14VN05	1	Fan
0010	1160004	3	Screw
0011	161SCPM56	1	End shield
0012	1160004	3	Screw
0013	SC0610LN	1	Motor bracket
0014	RFP051A016	1	Shaft with rotor
0015	114000	1	Compensation spring
0016	113001	2	Ball bearing
0017	116035T	2	Screw
0018	14COK06IPA	1	Terminal box
0019	116031	1	Screw
0020	117114M16	1	Cable gland
0021	1151041	1	Sealing ring
0022	114421	1	Terminal board
0023	111006F	1	Capacitor 6 µF
0025	CA051EP0A1	1	Motor casing with windings (220+230V 50+60 Hz)
0026	11514501215	1	Sealing ring - IP55 PROTECTION
0027	1170501	1	Gasket - IP55 PROTECTION
0028	11514501213	1	Sealing ring - IP55 PROTECTION
0029	119012	2	Plug - IP55 PROTECTION

Technical modifications reserved.



POSITION	CODE	QUANTITY	DESCRIPTION
0001	116045	4	Pump body screw
0002	860CRPV55	1	Pump body
0003	11514201359	1	Pump body O-Ring
0004	860GRPV55	1	Impeller
0005	114601	1	Circlip Ø 11 mm
0006	114700P	1	Washer
0007	11516461201	1	Mechanical seal Ø 12 mm
0008	14CL05P	1	Fan cover
0009	14VN05	1	Fan
0010	1160004	3	Screw
0011	161SCPM56	1	End shield
0012	1160004	3	Screw
0013	SC0610LN	1	Motor bracket
0014	RFP051A016	1	Shaft with rotor
0015	114000	1	Compensation spring
0016	113001	2	Ball bearing
0017	116035T	2	Screw
0018	14COK06IPA	1	Terminal box
0019	116031	1	Screw
0020	117114M16	1	Cable gland
0021	1151041	1	Sealing ring
0022	114421	1	Terminal board
0023	111006F	1	Capacitor 6 µF
0025	CA051EP0A1	1	Motor casing with windings (220+230V 50+60 Hz)
0026	11514501215	1	Sealing ring - IP55 PROTECTION
0027	1170501	1	Gasket - IP55 PROTECTION
0028	11514501213	1	Sealing ring - IP55 PROTECTION
0029	119012	2	Plug - IP55 PROTECTION

Technical modifications reserved.