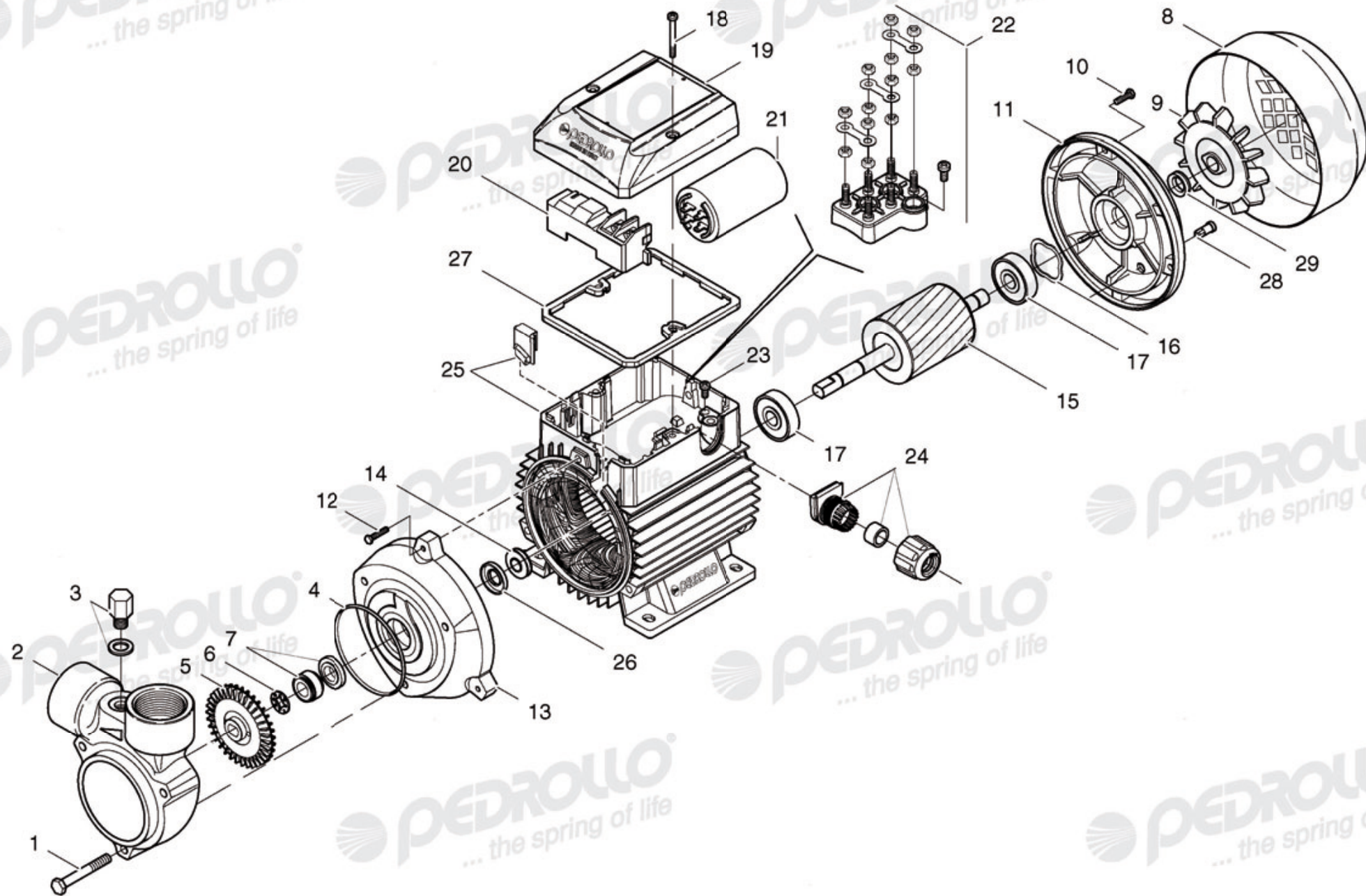


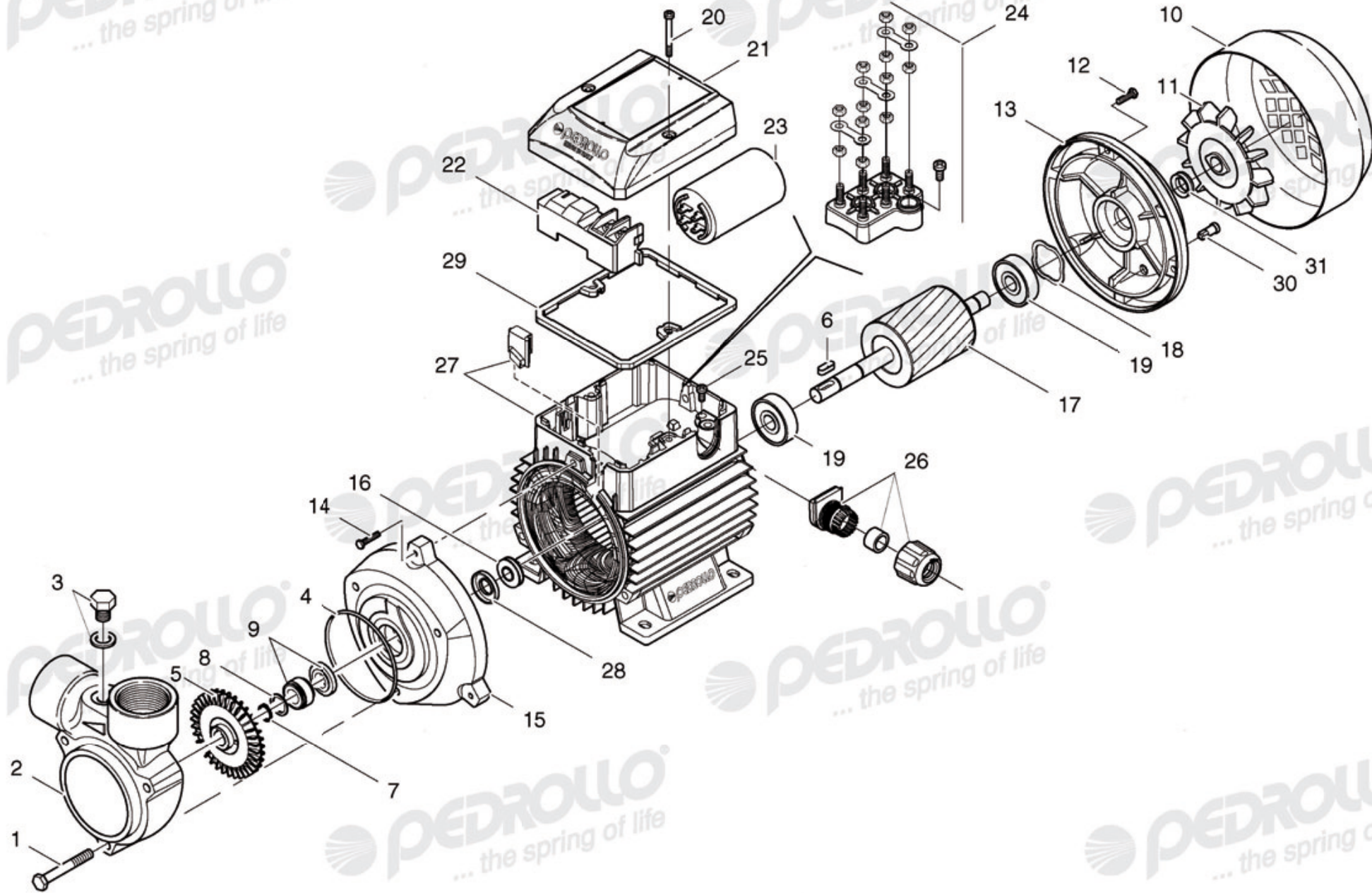
POSITION	CODE	QUANTITY	DESCRIPTION
0001	116045	3	Pump body screw
0002	850ZLPK60A	1	Pump body
0003	119000C	1	Plug with washer
0004	11514202359	1	Pump body O-Ring
0005	860GRPK63	1	Impeller
0006	114700N	1	Washer
0007	11516461202	1	Mechanical seal Ø 12 mm
0008	14CL06	1	Fan cover
0009	14VN06	1	Fan
0010	116001T	3	Screw
0011	SC0600	1	End shield
0011	SC06001	1	End shield - IP55 PROTECTION
0012	116001T	3	Screw
0013	SC064LN	1	Motor bracket
0014	1151041	1	Sealing ring
0015	RFP061A042M	1	Shaft with rotor
0016	114000	1	Compensation spring
0017	113001C3E	2	Ball bearing
0018	116035T	2	Screw
0020	114421	1	Terminal board
0021	111010F	1	Capacitor 10 µF
0023	116031T	1	Screw
0024	ASSPC7	1	Cable grommet
0025	CA061AP0P1	1	Motor casing with windings (220V - 60 Hz)
0026	11514501215	1	Sealing ring - IP55 PROTECTION
0027	1170501	1	Gasket - IP55 PROTECTION
0028	119012	1	Plug - IP55 PROTECTION
0029	1151045	1	Sealing ring - IP55 PROTECTION
0029	14COK06IPA	1	Terminal box

Technical modifications reserved.



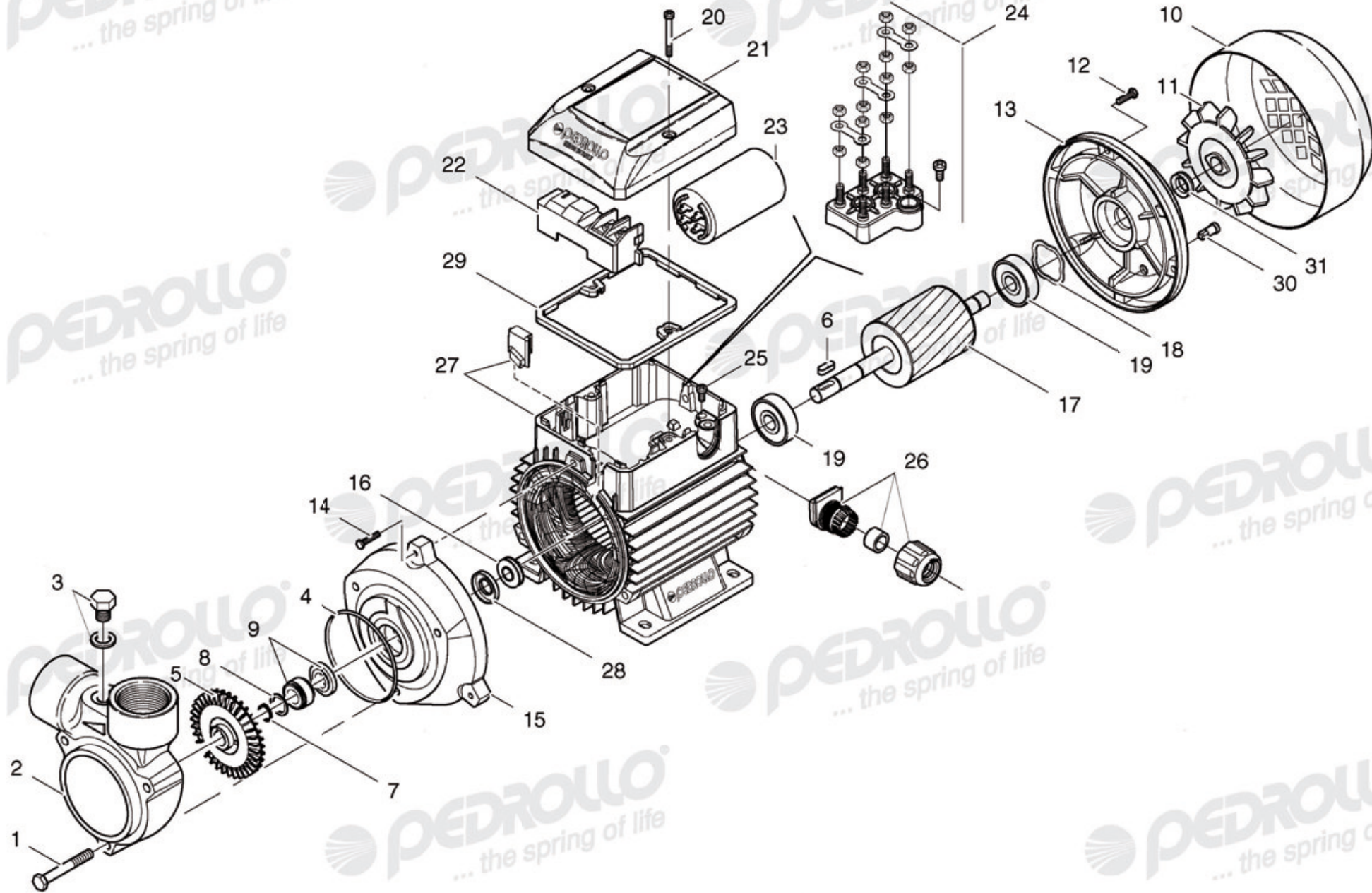
POSITION	CODE	QUANTITY	DESCRIPTION
0001	116045	3	Pump body screw
0002	850ZLPK60A	1	Pump body
0003	119000C	1	Plug with washer
0004	11514202359	1	Pump body O-Ring
0005	860GRPK63	1	Impeller
0006	114700N	1	Washer
0007	11516461202	1	Mechanical seal Ø 12 mm
0008	14CL06	1	Fan cover
0009	14VN06	1	Fan
0010	116001T	3	Screw
0011	SC0600	1	End shield
0011	SC06001	1	End shield - IP55 PROTECTION
0012	116001T	3	Screw
0013	SC064LN	1	Motor bracket
0014	1151041	1	Sealing ring
0015	RFP061A042M	1	Shaft with rotor
0016	114000	1	Compensation spring
0017	113001C3E	2	Ball bearing
0018	116035T	2	Screw
0022	ASSMORS01	1	Terminal board
0023	116031T	1	Screw
0024	ASSPC7	1	Cable grommet
0025	CA061AP0P	1	Motor casing with windings (220/380V - 60 Hz)
0026	11514501215	1	Sealing ring - IP55 PROTECTION
0027	1170501	1	Gasket - IP55 PROTECTION
0028	119012	1	Plug - IP55 PROTECTION
0029	1151045	1	Sealing ring - IP55 PROTECTION
0029	14COK06IPA	1	Terminal box

Technical modifications reserved.



POSITION	CODE	QUANTITY	DESCRIPTION
0001	116045	3	Pump body screw
0002	850ZLPK65A	1	Pump body
0003	119003C	1	Plug with washer
0004	11514202360	1	Pump body O-Ring
0005	860GRPK66	1	Impeller
0006	114800	1	Stainless steel impeller key
0007	114600	1	Circlip Ø 12 mm
0008	114700P	1	Washer
0009	11516461202	1	Mechanical seal Ø 12 mm
0010	14CL06	1	Fan cover
0011	14VN06	1	Fan
0012	116001T	3	Screw
0013	SC0600	1	End shield
0013	SC06001	1	End shield - IP55 PROTECTION
0014	116001T	3	Screw
0015	SC065LN	1	Motor bracket
0016	115104	1	Deflector
0017	RFP061L01CI	1	Shaft with rotor
0018	114000	1	Compensation spring
0019	113001C3E	2	Ball bearing
0020	116035T	2	Screw
0021	14COK06IPA	1	Terminal box
0022	114421	1	Terminal board
0023	111014F	1	Capacitor 14 µF
0025	116031T	1	Screw
0026	ASSPC7	1	Cable grommet
0027	CA061LP0P1	1	Motor casing with windings (220V - 60 Hz)
0028	11514501215	1	Sealing ring - IP55 PROTECTION
0029	1170501	1	Gasket - IP55 PROTECTION
0030	119012	1	Plug - IP55 PROTECTION
0031	1151045	1	Sealing ring - IP55 PROTECTION

Technical modifications reserved.



POSITION	CODE	QUANTITY	DESCRIPTION
0001	116045	3	Pump body screw
0002	850ZLPK65A	1	Pump body
0003	119003C	1	Plug with washer
0004	11514202360	1	Pump body O-Ring
0005	860GRPK66	1	Impeller
0006	114800	1	Stainless steel impeller key
0007	114600	1	Circlip Ø 12 mm
0008	114700P	1	Washer
0009	11516461202	1	Mechanical seal Ø 12 mm
0010	14CL06	1	Fan cover
0011	14VN06	1	Fan
0012	116001T	3	Screw
0013	SC0600	1	End shield
0014	116001T	3	Screw
0014	SC06001	1	End shield - IP55 PROTECTION
0015	SC065LN	1	Motor bracket
0016	115104	1	Deflector
0017	RTP061C15BM	1	Shaft with rotor
0018	114000	1	Compensation spring
0019	113001C3E	2	Ball bearing
0020	116035T	2	Screw
0021	14COK06IPA	1	Terminal box
0024	ASSMORS01	1	Terminal board
0025	116031T	1	Screw
0026	ASSPC7	1	Cable grommet
0027	CA061CP0P	1	Motor casing with windings (220/380V - 60 Hz)
0028	11514501215	1	Sealing ring - IP55 PROTECTION
0029	1170501	1	Gasket - IP55 PROTECTION
0030	119012	1	Plug - IP55 PROTECTION
0031	1151045	1	Sealing ring - IP55 PROTECTION

Technical modifications reserved.