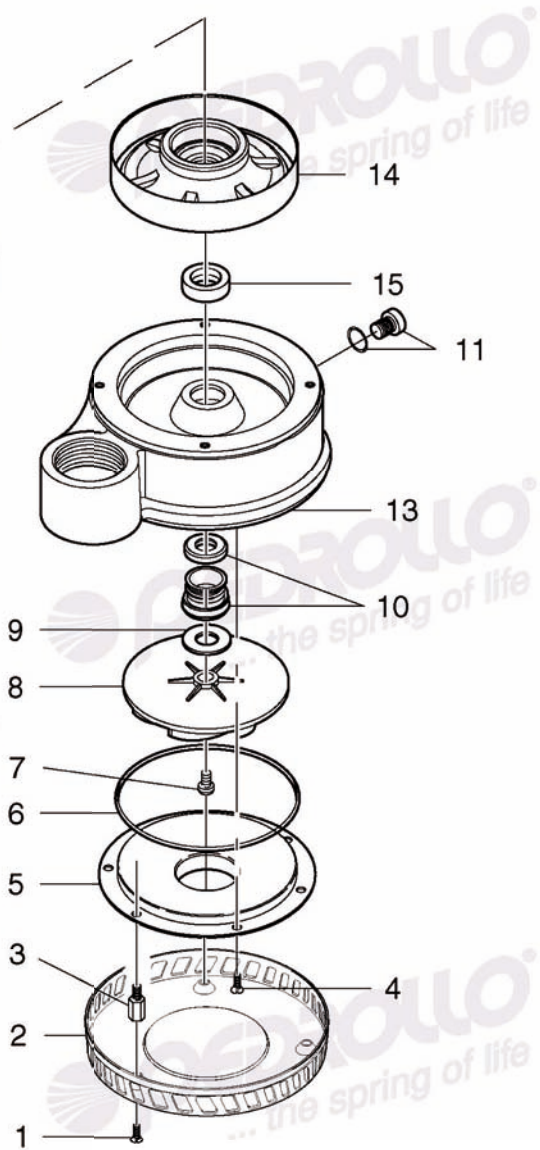
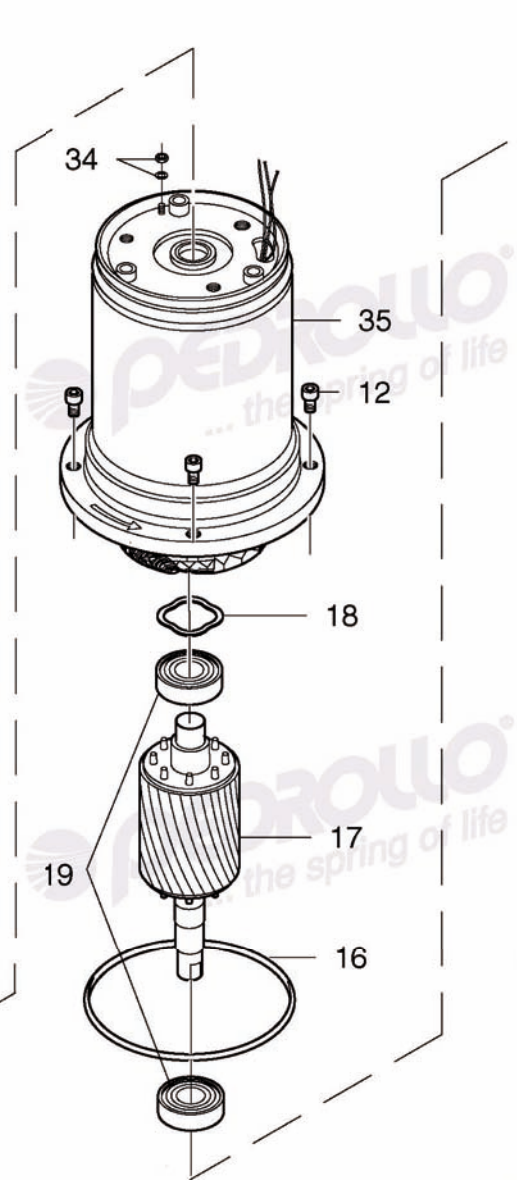
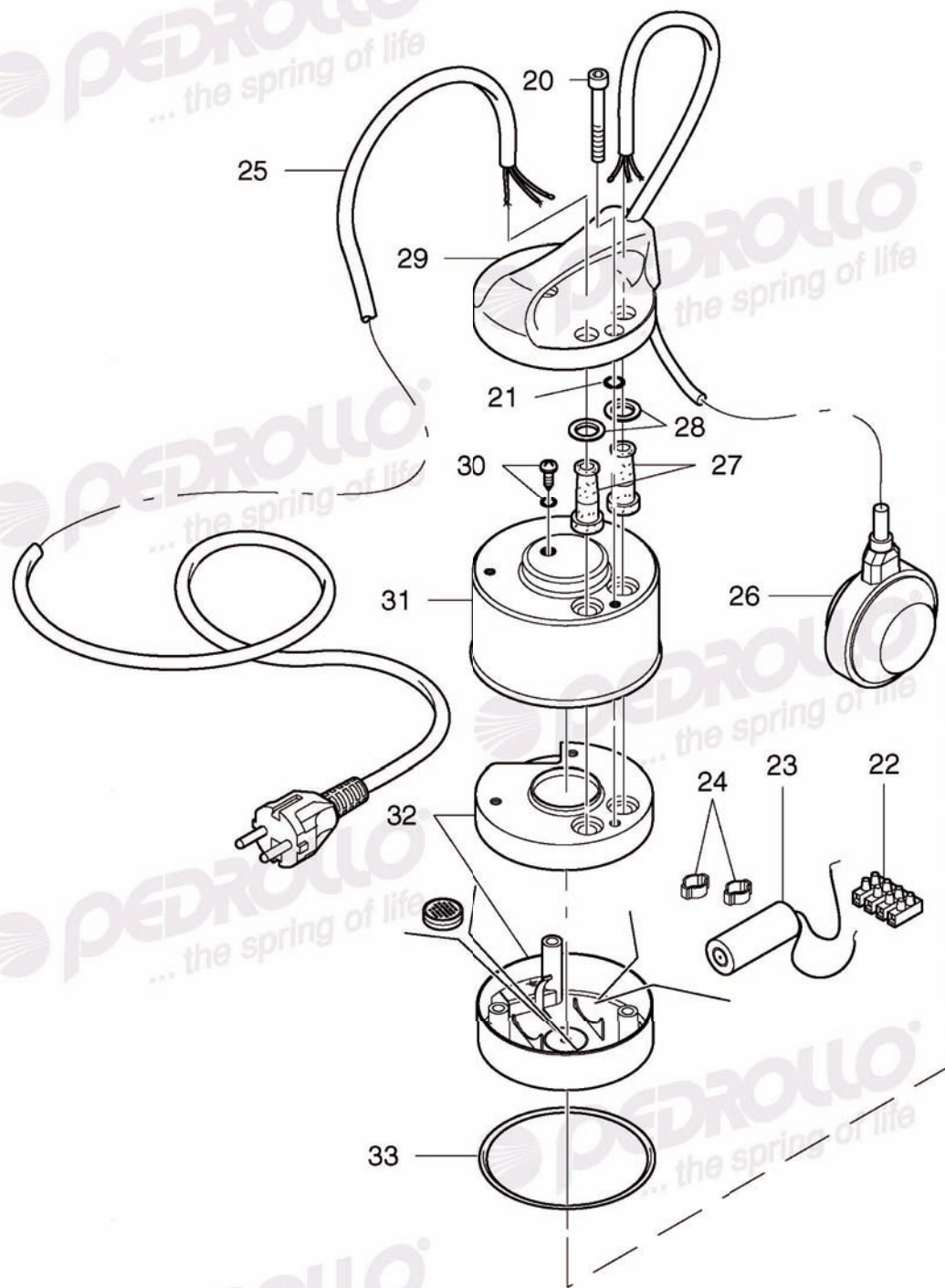


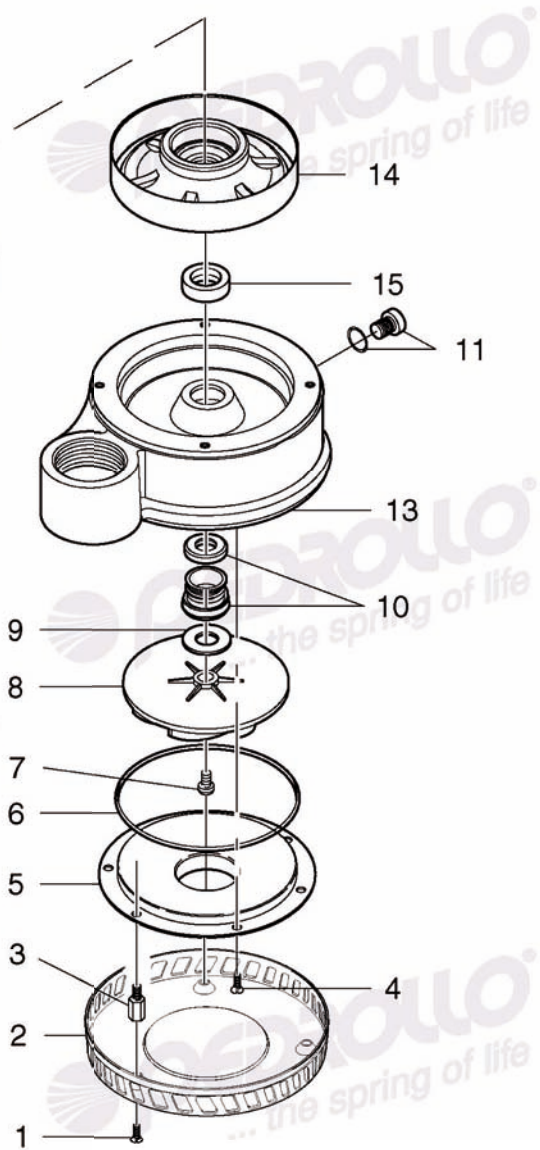
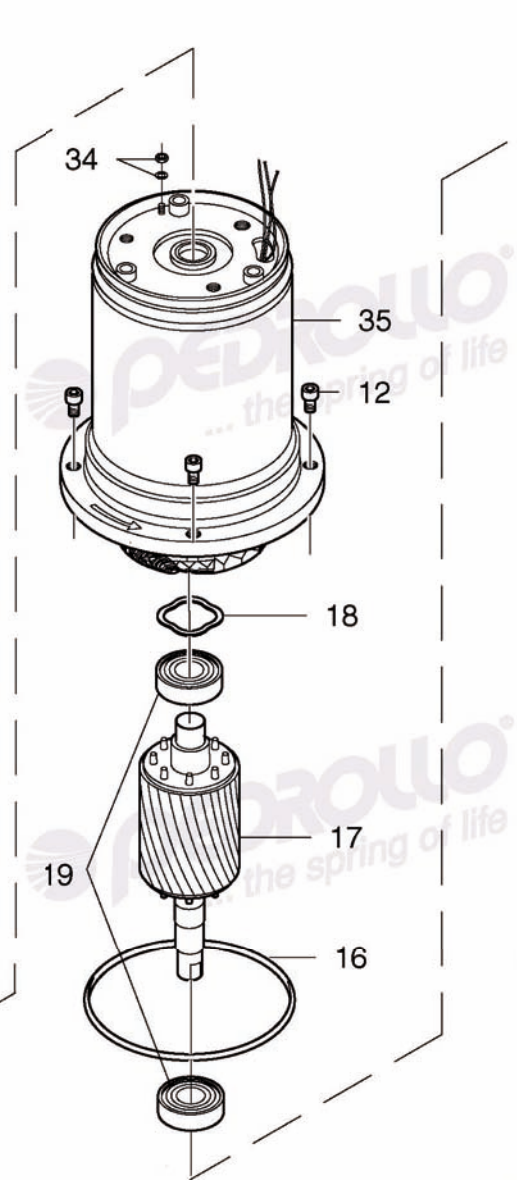
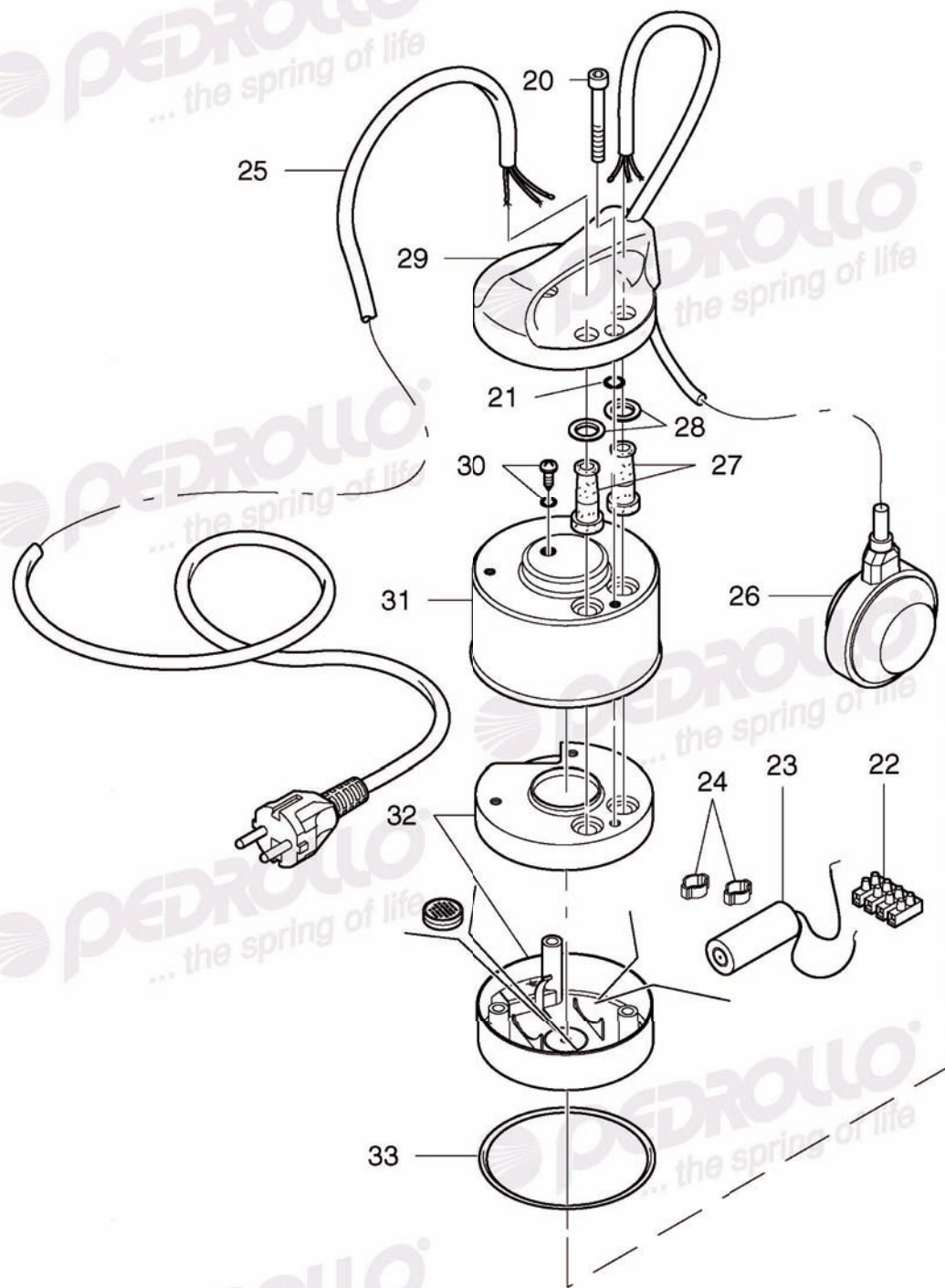
POSITION	CODE	QUANTITY	DESCRIPTION
0001	1160262	3	Screw
0002	859SDN4	1	Suction strainer
0003	119039	3	Spacer
0004	1160338	3	Screw
0005	859SDN20	1	Suction cover
0006	11514201223	1	O-Ring
0007	1160339	1	Screw
0008	861GRD186	1	Impeller
0009	114702	1	Washer
0010	11516151002	1	Mechanical seal Ø 14 mm
0011	119025C	1	Plug
0012	1160280	4	Screw
0013	859SD20BL	1	Pump body
0014	859SV118	1	Motor cover
0015	11514501225	1	Sealing ring
0016	11514201581	1	O-Ring
0017	RFC07S70	1	Shaft with rotor
0018	114001	1	Compensation spring
0019	113002	2	Ball bearing
0020	1160295	3	Screw
0021	11514201310	3	O-Ring
0022	114460	1	Terminal board
0023	1110162F	1	Capacitor 16 µF
0024	1171081	2	Clamping ring
0025	117GLA51L	1	Supply cable with plug
0026	50014S05	1	Float switch
0027	1171057	2	Cable grommets
0028	114749	2	Washer
0029	119955	1	Handle
0030	1160338A	1	Screw
0031	859CSV1NL	1	Upper cover
0032	118055A	1	Insulating covers
0033	11514201595	1	O-Ring
0034	116900A	1	Nut with washer
0035	CA07VXB0P1	1	Motor casing with windings (220V - 60 Hz)

Technical modifications reserved.



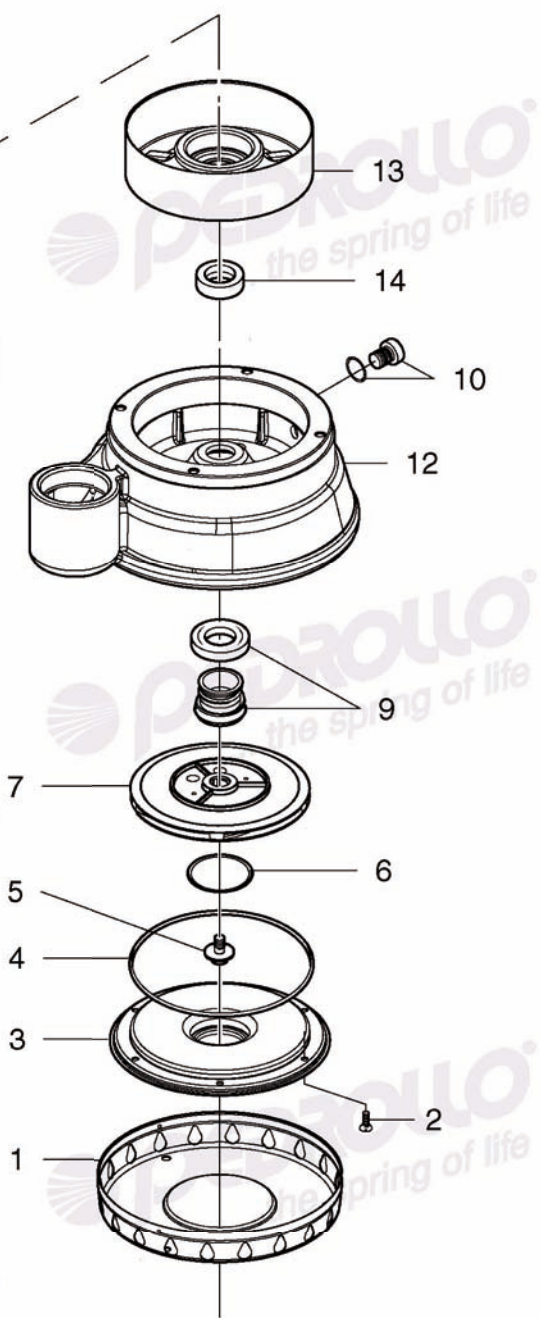
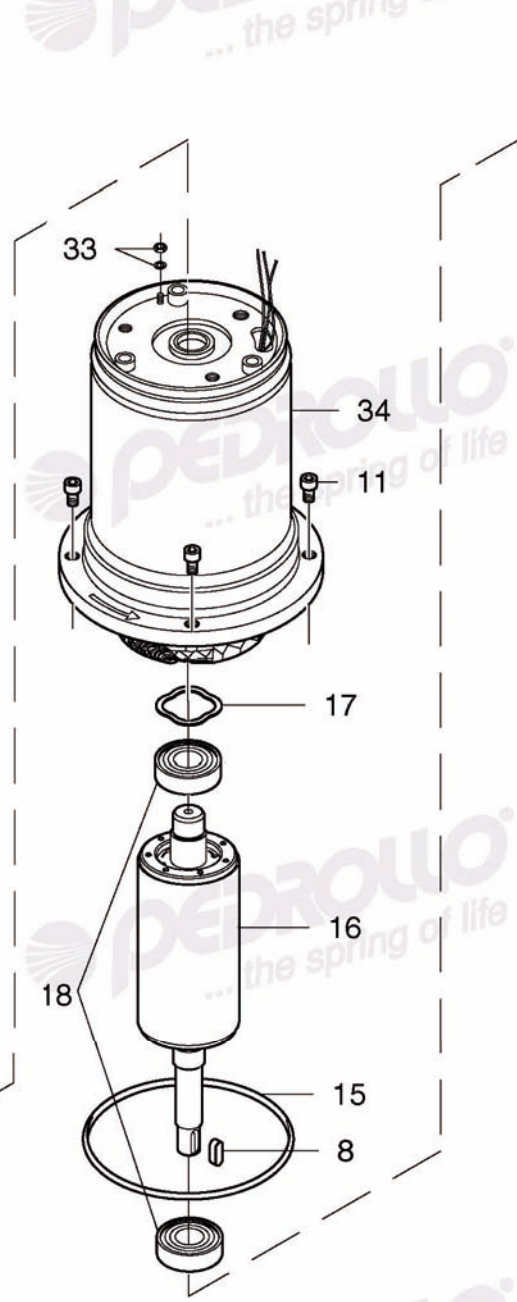
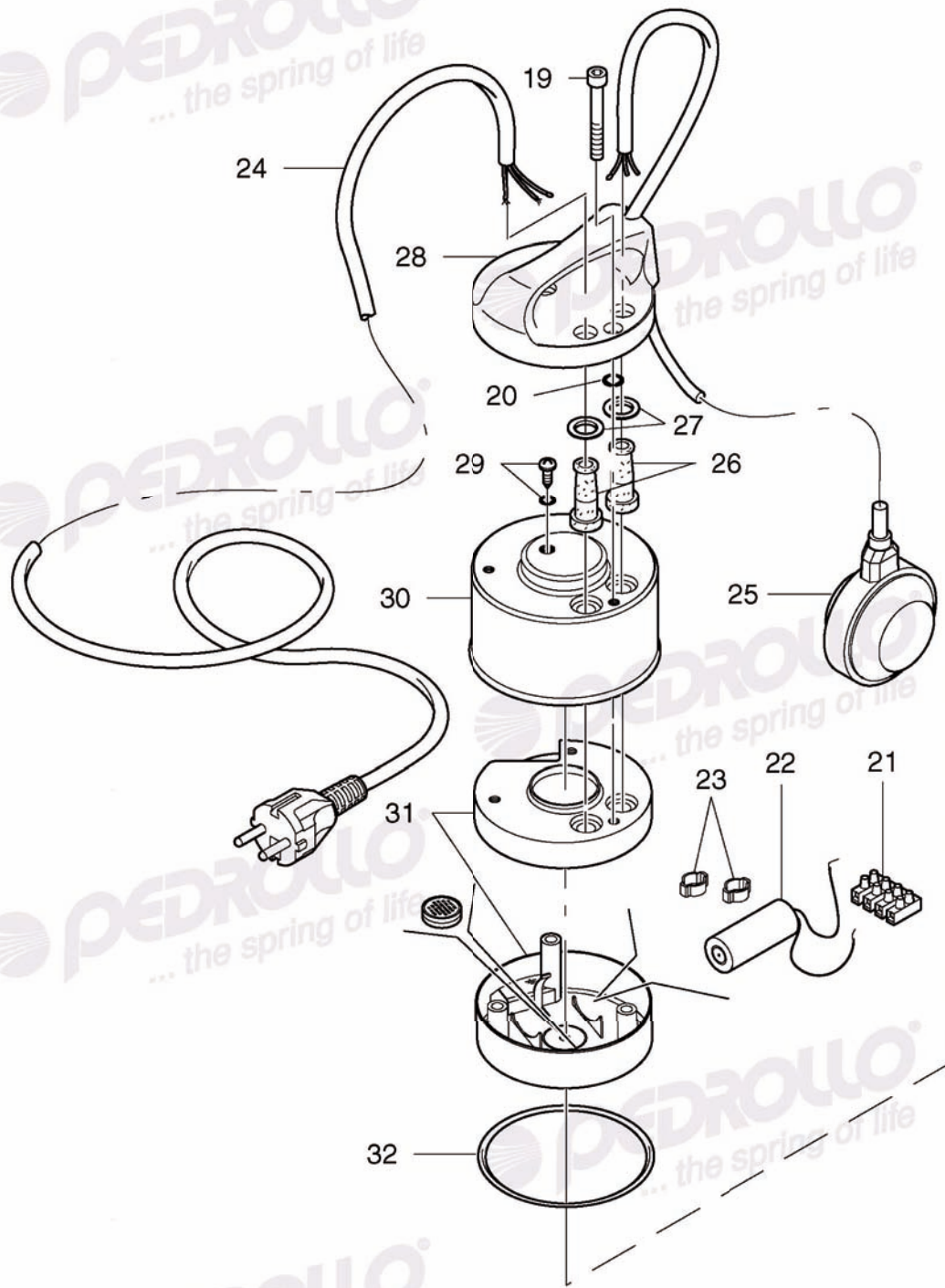
POSITION	CODE	QUANTITY	DESCRIPTION
0001	1160262	3	Screw
0002	859SDN4	1	Suction strainer
0003	119039	3	Spacer
0004	1160338	3	Screw
0005	859SDN20	1	Suction cover
0006	11514201223	1	O-Ring
0007	1160339	1	Screw
0008	861GRD206	1	Impeller
0009	114702	1	Washer
0010	11516151002	1	Mechanical seal Ø 14 mm
0011	119025C	1	Plug
0012	1160280	4	Screw
0013	859SD20BL	1	Pump body
0014	859SV118	1	Motor cover
0015	11514501225	1	Sealing ring
0016	11514201581	1	O-Ring
0017	RFC07S85	1	Shaft with rotor
0018	114001	1	Compensation spring
0019	113002	2	Ball bearing
0020	1160295	3	Screw
0021	11514201310	3	O-Ring
0022	114460	1	Terminal board
0023	1110202F	1	Capacitor 20 µF
0024	1171081	2	Clamping ring
0025	117GLA51L	1	Supply cable with plug
0026	50014S05	1	Float switch
0027	1171057	2	Cable grommets
0028	114749	2	Washer
0029	119955	1	Handle
0030	1160338A	1	Screw
0031	859CSV1NL	1	Upper cover
0032	118055A	1	Insulating covers
0033	11514201595	1	O-Ring
0034	116900A	1	Nut with washer
0035	CA07VXA0P1	1	Motor casing with windings (220V - 60 Hz)

Technical modifications reserved.



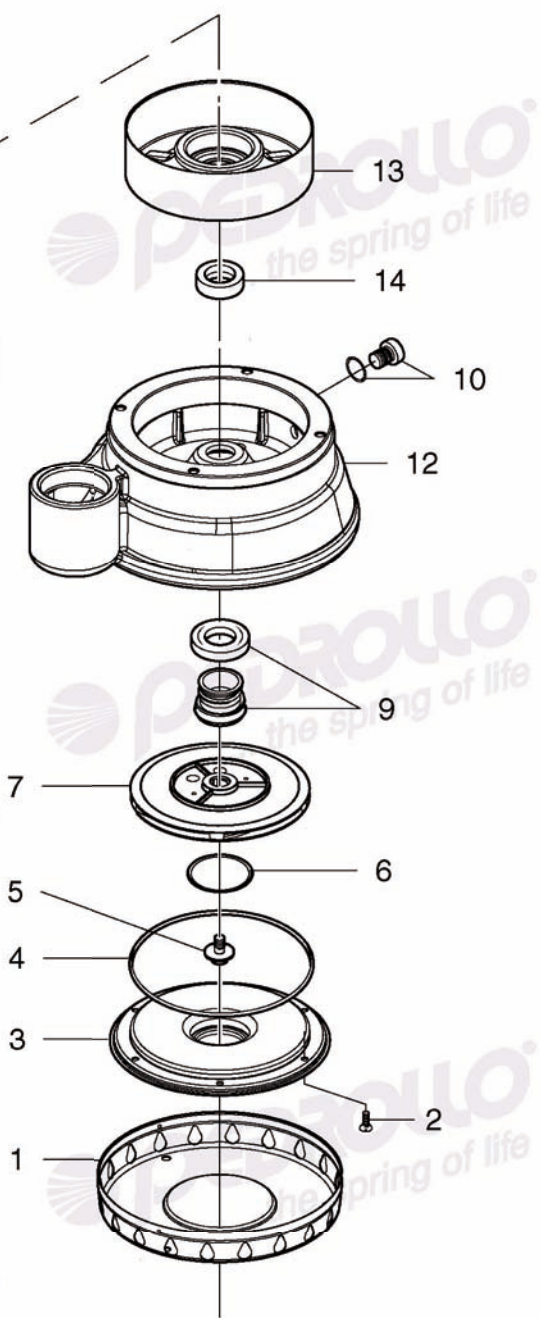
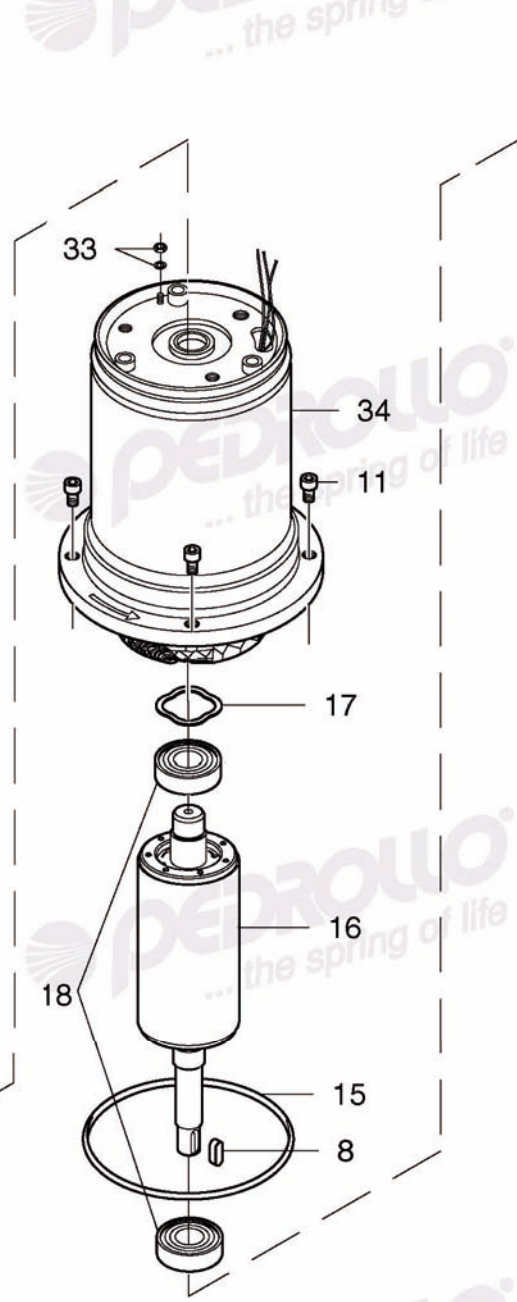
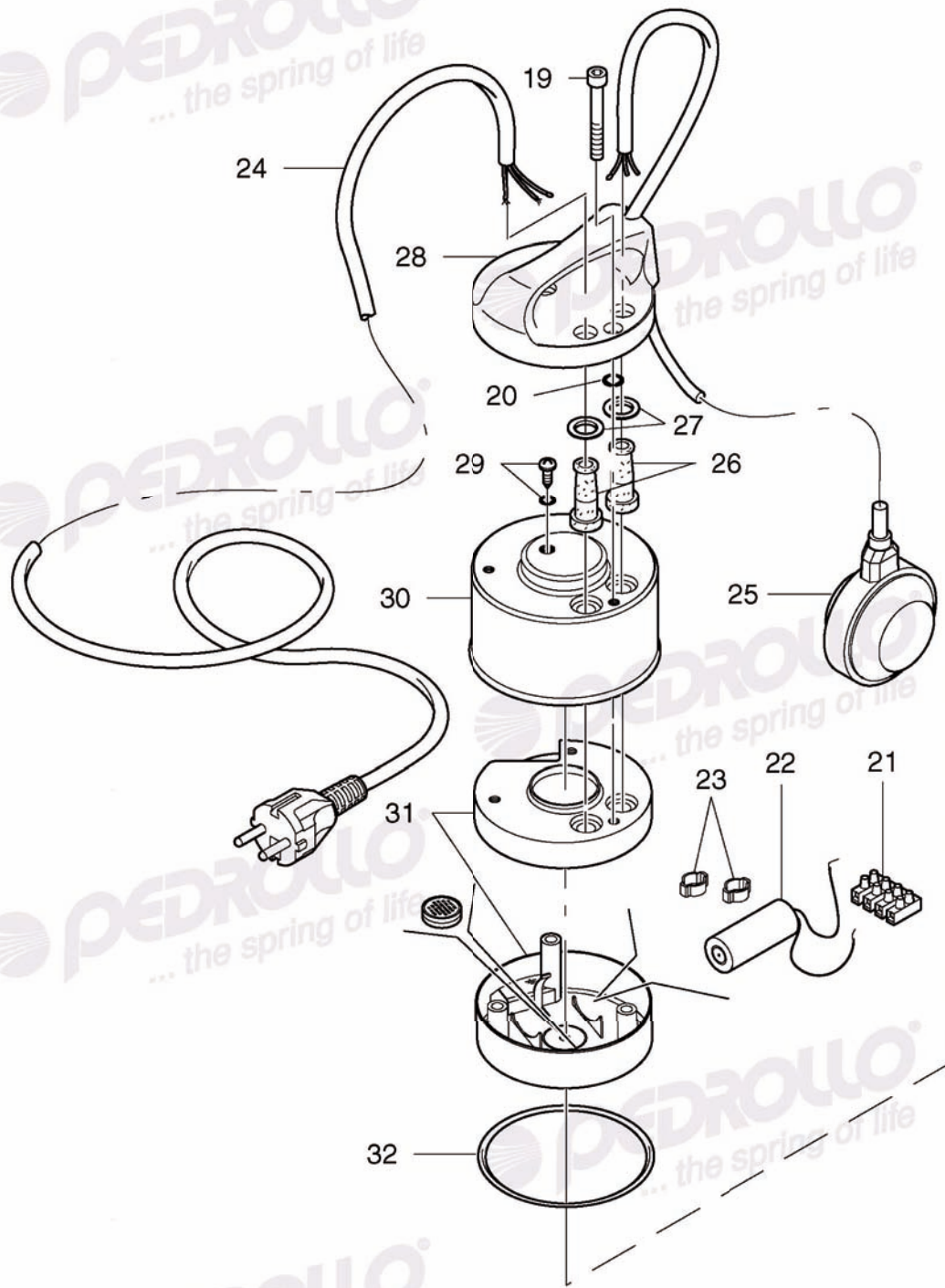
POSITION	CODE	QUANTITY	DESCRIPTION
0001	1160262	3	Screw
0002	859SDN4	1	Suction strainer
0003	119039	3	Spacer
0004	1160338	3	Screw
0005	859SDN20	1	Suction cover
0006	11514201223	1	O-Ring
0007	1160339	1	Screw
0008	861GRD206	1	Impeller
0009	114702	1	Washer
0010	11516151002	1	Mechanical seal Ø 14 mm
0011	119025C	1	Plug
0012	1160280	4	Screw
0013	859SD20BL	1	Pump body
0014	859SV118	1	Motor cover
0015	11514501225	1	Sealing ring
0016	11514201581	1	O-Ring
0017	RFC07S71	1	Shaft with rotor
0018	114001	1	Compensation spring
0019	113002	2	Ball bearing
0020	1160295	3	Screw
0021	11514201310	3	O-Ring
0022	114460	1	Terminal board
0024	1171082	1	Clamping ring
0025	117GOA5LA	1	Supply cable
0027	1171055	1	Cable grommets
0029	119955T	1	Handle
0030	1160338A	1	Screw
0031	859CSV1NTL	1	Upper cover
0032	118055A	1	Insulating covers
0033	11514201595	1	O-Ring
0034	116900A	1	Nut with washer
0035	CA07VXA0P	1	Motor casing with windings (380V - 60 Hz)

Technical modifications reserved.



POSITION	CODE	QUANTITY	DESCRIPTION
0001	859SDN5	1	Suction strainer
0002	1160338	6	Screw
0003	859SDN6	1	Suction cover
0004	11514201228	1	O-Ring
0005	1160059	1	Screw
0006	11514201357	1	O-Ring
0007	161GRD306	1	Impeller
0008	1148085	1	Stainless steel impeller key
0009	11516151002	1	Mechanical seal Ø 14 mm
0010	119025C	1	Plug
0011	1160280	4	Screw
0012	859SD15BL	1	Pump body
0013	159H2OPCX1	1	Motor cover
0014	11514501229	1	Sealing ring
0015	11514201581	1	O-Ring
0016	RFC07S86	1	Shaft with rotor
0017	114001	1	Compensation spring
0018	113002C3	2	Ball bearing
0019	1160295	3	Screw
0020	11514201310	3	O-Ring
0021	114460	1	Terminal board
0022	1110252F	1	Capacitor 25 µF
0023	1171081	2	Clamping ring
0024	117GLA51L	1	Supply cable with plug
0025	50014S05	1	Float switch
0026	1171057	2	Cable grommets
0027	114749	2	Washer
0028	119955	1	Handle
0029	1160338A	1	Screw
0030	859CSV1NL	1	Upper cover
0031	118055A	1	Insulating covers
0032	11514201595	1	O-Ring
0033	116900A	1	Nut with washer
0034	CA07VXA05P1	1	Motor casing with windings (220V - 60 Hz)

Technical modifications reserved.



POSITION	CODE	QUANTITY	DESCRIPTION
0001	859SDN5	1	Suction strainer
0002	1160338	6	Screw
0003	859SDN6	1	Suction cover
0004	11514201228	1	O-Ring
0005	1160059	1	Screw
0006	11514201357	1	O-Ring
0007	161GRD306	1	Impeller
0008	1148085	1	Stainless steel impeller key
0009	11516151002	1	Mechanical seal Ø 14 mm
0010	119025C	1	Plug
0011	1160280	4	Screw
0012	859SD15BL	1	Pump body
0013	159H2OPCX1	1	Motor cover
0014	11514501229	1	Sealing ring
0015	11514201581	1	O-Ring
0016	RFC07S87	1	Shaft with rotor
0017	114001	1	Compensation spring
0018	113002C3	2	Ball bearing
0019	1160295	3	Screw
0020	11514201310	3	O-Ring
0021	114460	1	Terminal board
0023	1171082	1	Clamping ring
0024	117GOA5LA	1	Supply cable
0026	1171055	1	Cable grommets
0028	119955T	1	Handle
0029	1160338A	1	Screw
0030	859CSV1NTL	1	Upper cover
0031	118055A	1	Insulating covers
0032	11514201595	1	O-Ring
0033	116900A	1	Nut with washer
0034	CA07VXA01P	1	Motor casing with windings (380V - 60 Hz)

Technical modifications reserved.